

T1/E1/CEPT/ISDN-PRI INTERFACE DUAL PORT MODULE

Electrical Specifications at 25°C

Part #	Turns Ratio ±2%		OCL Pri. MIN (mH)	L _L max. (μH)	C _{W/W} max. (μH)	DCR _P max. (Ω)	Schematic	Primary Pins	
	Transmit	Receive						Transmit	Receive
T-17900	1CT:2.4CT	1CT:1CT	1.20	0.50	35	0.8	2	1-3 & 10-12	21-19 & 1816
T-17901	1CT:2.4CT	1CT:2.4CT	1.20	0.50	25	0.8	1	4-6 & 10-12	1-3 & 7-9
T-17902	1CT:2CT	1CT:1CT	1.20	0.50	35	0.8	1	4-6 & 10-12	24-22 & 18-16
T-17903	1CT:1.15CT	1CT:1.15CT	1.20	0.50	35	0.8	1	4-6 & 10-12	1-3 & 7-9
T-17904	1CT:1.41CT	1CT:1.41CT	1.20	0.50	30	0.8	2	1-3 & 10-12	21-19 & 18-16
T-17905	1CT:2CT	1CT:2CT	1.20	0.50	25	0.8	1	4-6 & 10-12	1-3 & 7-9
T-17906	1CT:2CT	1CT:2CT	1.20	0.50	25	0.8	2	1-3 & 10-12	21-19 & 1816
T-17907	1CT:2.3CT	1CT:1CT	1.20	0.50	35	0.8	1	4-6 & 10-12	24-22 & 18-16
T-17908	1CT:1.36CT	1CT:2CT	1.20	0.50	35	0.8	1	4-6 & 10-12	24-22 & 18-16
T-17909	1CT:1.36CT	1CT:1CT	1.20	0.50	35	0.8	1	4-6 & 10-12	24-22 & 18-16
T-17910	1CT:1.15CT	1CT:2CT	1.20	0.50	35	0.8	1	4-6 & 10-12	1-3 & 7-9

Common Mode Rejection Ratio: 50 dB or better @ 1MHz

Crosstalk Attenuation: 65 dB or better.

Longitudinal balance: Meets FCC part 68.

Flammability: UL94VO, IEC 695-2-2

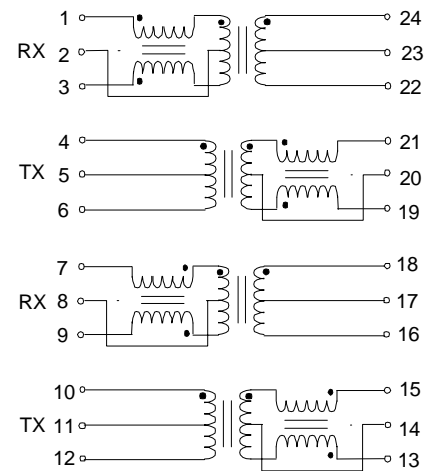
Isolation: 1500 V_{RMS}

Extended Temperature Range:

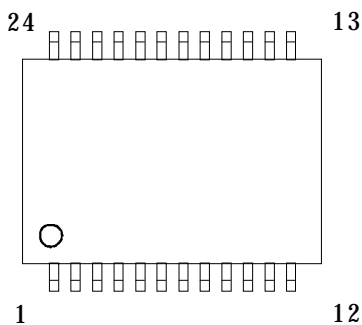
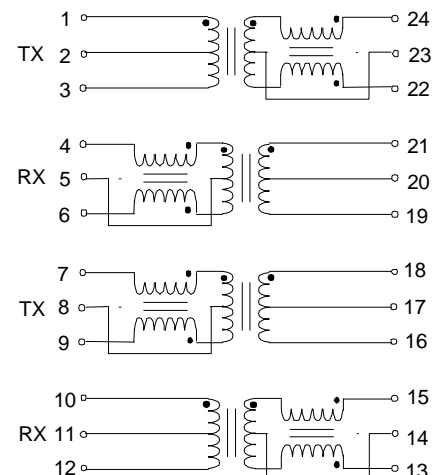
-40°C to +85°C.

Inductance over temperature is 600μH min.

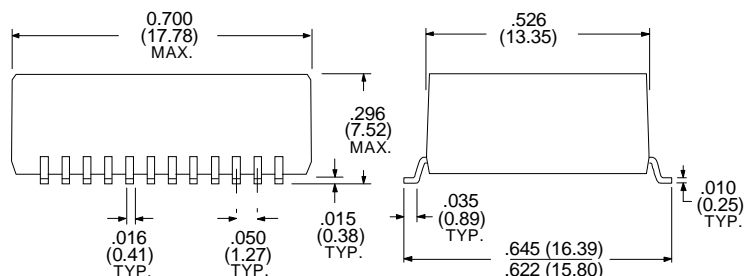
Schematic Style "1"



Schematic Style "2"



Physical Dimensions
in inches (mm)



Specifications subject to change without notice.

For other values & Custom Designs, contact factory.

www.rhombus-ind.com

sales@rhombus-ind.com

TEL: (714) 898-0960

FAX: (714) 896-0971