

T1 / CEPT / ISDN-PRI SMD 12 Pin Dual Transformers

See other T1/CEPT/ISDN-PRI products in this Catalog

For T1/CEPT Telecom Applications

Designed to meet CCITT and FCC Requirements

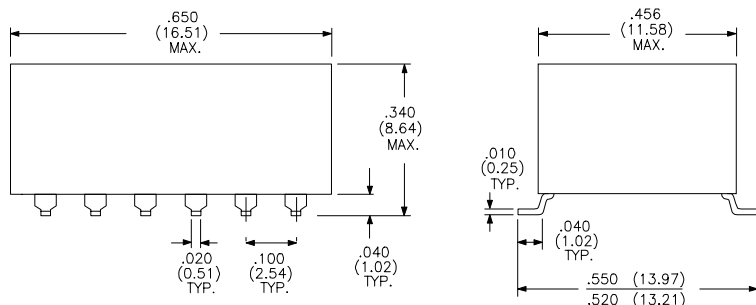
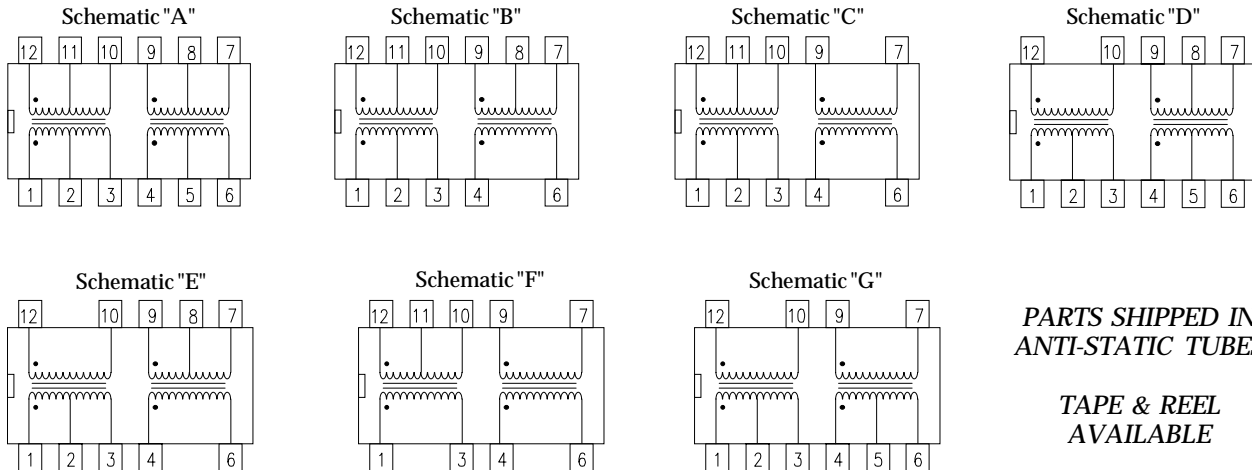
1500 VRMS Minimum Isolation

Refer to Table of Contents for a variety of other T1/CEPT/ISDN-PRI products

Electrical Specifications ^{1,2} at 25° C

Part Number	Turns Ratio ±5%	OCL Min. (mH)	C _{www} max. (pF)	L _L max. (μH)	DCR Pri. max. (Ω)	DCR Sec. max. (Ω)	Schem. Style	Primary Pins
T-14400	1CT:2CT & 1CT:2CT	1.20 & 1.20	50 & 50	0.80 & 0.80	1.00 & 1.00	1.70 & 1.70	A	12-10, 4-6
T-14401	1CT:2CT & 1:1.36CT	1.60 & 1.60	60 & 50	1.00 & 0.80	1.70 & 1.70	2.00 & 1.70	B	12-10, 4-6
T-14402	1:1.15CT & 1CT:2CT	1.50 & 1.20	60 & 50	0.80 & 0.80	1.00 & 1.00	1.00 & 1.70	D	12-10, 4-6
T-14403	1:1/1.26 & 1CT:2CT	1.50 & 1.20	50 & 60	0.80 & 0.80	1.00 & 1.00	1.10 & 1.70	E	12-10, 4-6
T-14404	1:2CT & 2:1	1.60 & 1.60	55 & 40	1.30 & 1.30	1.10 & 1.10	1.10 & 0.70	F	1-3, 4-6
T-14405	1CT:1CT & 1CT:1CT	1.20 & 1.20	50 & 50	0.80 & 0.80	1.00 & 1.00	1.00 & 1.00	A	1-3, 4-6
T-14406	1CT:1.15CT & 1CT:1.15CT	1.20 & 1.20	50 & 50	0.80 & 0.80	1.20 & 1.20	1.40 & 1.40	A	1-3, 4-6
T-14407	1CT:1CT & 1CT:2CT	1.20 & 1.20	50 & 50	0.80 & 0.80	1.20 & 1.20	1.20 & 1.80	A	12-10, 4-6
T-14408	1CT:1.15CT & 1CT:1CT	1.50 & 1.50	60 & 60	0.80 & 0.80	1.00 & 1.00	1.10 & 1.00	A	12-10, 4-6
T-14409	1CT:1.36CT & 1CT:1.36CT	1.20 & 1.20	50 & 50	0.80 & 0.80	1.20 & 1.20	1.40 & 1.40	A	1-3, 4-6
T-14410	1CT:1.41CT & 1CT:1.41CT	0.80 & 0.80	30 & 30	0.80 & 0.80	1.00 & 1.20	1.00 & 1.20	A	12-10, 9-7
T-14411	1CT:2.3CT & 1CT:2CT	1.20 & 1.20	60 & 60	0.80 & 0.80	1.20 & 1.20	2.10 & 2.10	A	12-10, 4-6
T-14412	1CT:2CT & 1CT:2CT	1.20 & 1.20	31 & 31	.60 & .60	0.70 & 0.70	1.20 & 1.20	A	12-10, 4-6
T-14413	1CT:2CT & 1:1.36CT	1.20 & 1.20	32 & 37	.55 & .80	0.70 & 0.70	1.20 & 0.90	B	12-10, 4-6
T-14414	1:2CT & 1:1.14CT	1.20 & 1.20	40 & 35	.55 & .80	0.70 & 0.70	1.20 & 0.90	E	12-10, 4-6
T-14415	1CT:2CT & 1:1	1.20 & 1.20	30 & 30	.55 & .80	0.70 & 0.70	1.20 & 0.70	C	1-3, 4-6
T-14416	1:1.15CT & 1CT:2CT	1.20 & 1.20	35 & 35	.60 & .60	0.70 & 0.70	0.90 & 1.20	D	12-10, 4-6
T-14417	1:1/1.26 & 1:2CT	1.50 & 1.20	40 & 40	.40 & .50	0.70 & 0.70	0.90 & 1.20	E	12-10, 4-6
T-14418	1CT:2CT & 1:1.08CT	1.50 & 1.20	40 & 30	.60 & .60	0.70 & 0.70	1.10 & 0.70	B	12-10, 4-6
T-14419	1:1/1.26 & 1:1/1.26	1.50 & 1.50	45 & 45	.40 & .40	0.80 & 0.80	1.00 & 1.00	G	12-10, 9-7

1. ET-Product 10 V-μsec minimum.
2. OCL @ Pri., 100 mV & 100 kHz



Specifications subject to change without notice.

For other values & Custom Designs, contact factory.

T1_SM12G-4/99