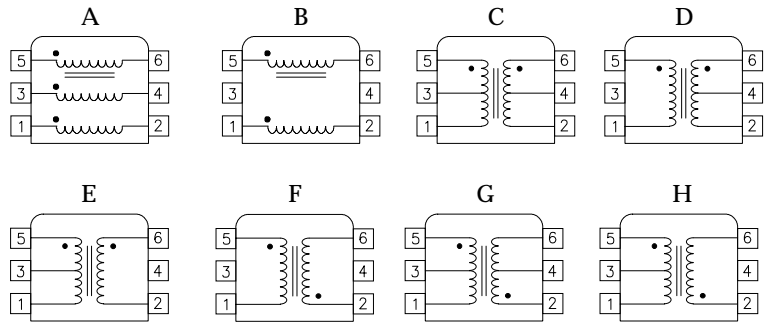


Single T1/CEPT Transformers

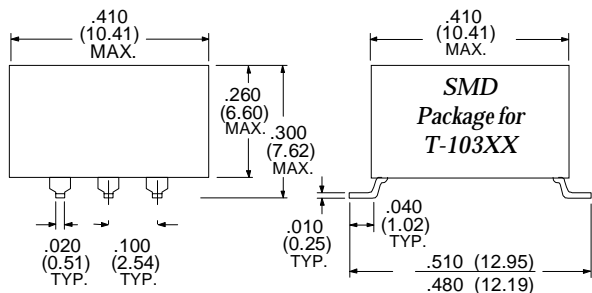
For T1/CEPT Telecom Applications
 Designed to meet CCITT & FCC Requirements
 1500 VRMS Minimum Isolation
 UL 1459 Recognized 



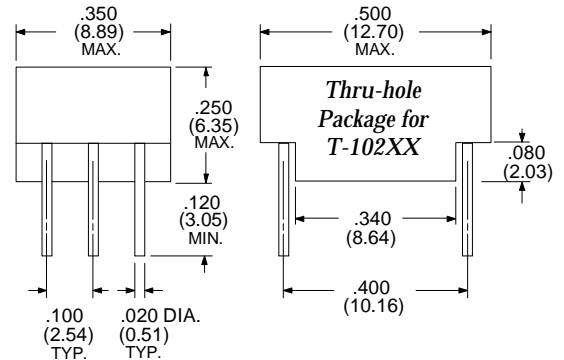
Electrical Specifications ^{1,2} at 25°C

Thru-hole Part Number	SMD Part Number	Turns Ratio ($\pm 5\%$)	OCL min. (mH)	PRI-SEC C_{www} max. (pF)	Leakage L_L max. (μ H)	Pri. DCR max. (Ω)	Sec. DCR max. (Ω)	Schem. Style	Primary Pins
T-10200	T-10300	1:1:1	1.2	25	0.5	0.7	0.7	A	
T-10201	T-10301	1:1:1	2.0	40	0.5	0.7	0.7	A	
T-10202	T-10302	1CT:3CT	1.2	30	0.5	0.7	1.6	C	1-5
T-10203	T-10303	1:1	1.2	25	0.5	0.7	0.7	B	
T-10204	T-10304	1:1CT	0.06	23	.75	0.6	0.6	E	2-6
T-10205	T-10305	1CT:1	1.2	25	0.8	0.7	0.7	E	1-5
T-10206	T-10306	1:1.26CT	0.06	23	0.75	0.6	0.6	E	2-6
T-10210	T-10310	1CT:2CT	1.2	30	0.55	0.7	1.1	C	1-5
T-10211	T-10311	2CT:1CT	2.0	30	1.5	0.7	0.4	C	1-5
T-10212	T-10312	2.53CT:1	2.0	20	1.5	1.0	0.5	E	1-5
T-10213	T-10313	1:1.36	1.2	35	0.8	0.7	0.7	B	5-6
T-10214	T-10314	1:1:1	1.2	40	0.7	0.9	0.9	A	
T-10215	T-10315	1:2CT	1.2	40	0.5	0.7	1.1	E	2-6
T-10216	T-10316	1:2CT	2.0	40	0.5	0.7	1.4	E	2-6
T-10217	T-10317	1:4CT	0.5	40	1.0	0.5	1.5	D	1-5
T-10218	T-10318	1:1.14CT	1.2	35	0.8	0.7	0.8	D	1-5
T-10219	T-10319	1:0.575:0.575	1.5	25	0.8	0.7	0.5	A	5-6
T-10220	T-10320	1:1 / 1.26 ⁽³⁾	1.5	35	0.4	0.7	0.9	E	2-6 ⁽³⁾
T-10221	T-10321	1:0.5:0.5	1.5	25	1.2	0.7	0.5	A	5-6
T-10222	T-10322	1:0.633:0.633	1.5	20	1.1	0.7	0.5	A	5-6
T-10223	T-10323	1:2.3CT	1.2	35	0.8	0.7	1.15	D	1-5
T-10224	T-10324	1:1.36CT	1.2	35	0.8	0.7	0.9	D	1-5
T-10225	T-10325	1CT:1CT	1.2	25	0.8	0.8	0.8	C	
T-10226	T-10326	1:1.15CT	1.5	35	0.6	0.7	0.9	E	2-6
T-10227	T-10327	1CT:2CT	1.2	50	1.1	0.9	1.6	C	2-6
T-10228	T-10328	1:1	1.2	25	0.5	0.7	0.7	F	
T-10229	T-10329	1.37:1	1.2	35	0.8	0.8	0.7	F	1-5
T-10230	T-10330	1CT:1	1.2	35	0.5	0.8	0.8	H	1-5
T-10231	T-10331	1:1.36	1.2	35	0.8	0.8	0.8	F	1-5
T-10232	T-10332	1CT:2CT	1.2	35	0.8	0.8	1.8	G	1-5
T-10233	T-10333	1:1.15CT	1.2	35	0.5	0.8	0.8	H	2-6
T-10234	T-10334	1:1:1.266	1.2	35	0.8	0.8	0.8	A	1-2

- ET-Product of 10 V- μ sec min.
- OCL Measured across Primary @ 100 kHz & 20mV
- T-10220: Sec. = Pins 3-5 for 75 Ω , Sec. = Pins 1-5 for 120 Ω .



Physical Dimensions inches (mm)



Specifications subject to change without notice.

For other values & Custom Designs, contact factory.


T1-97-4/99

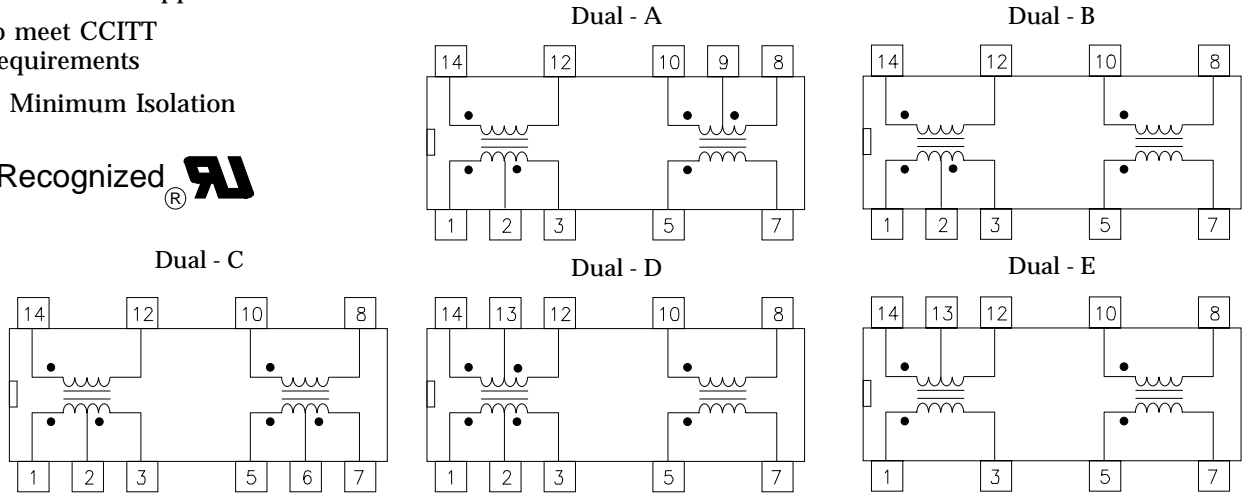
Dual T1/CEPT Transformers

For T1/CEPT Telecom Applications

Designed to meet CCITT
and FCC Requirements

1500 VRMS Minimum Isolation

UL 1459 Recognized 

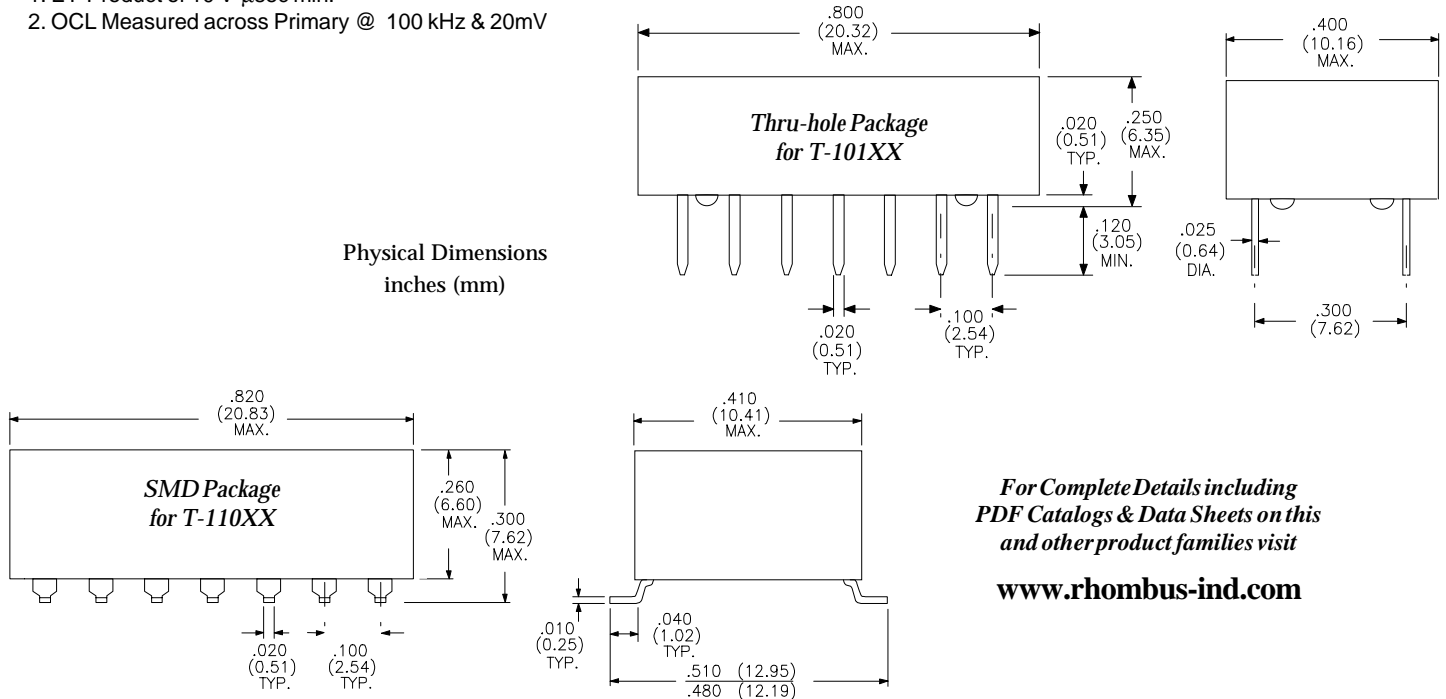


Electrical Specifications ^{1,2} at 25°C

Thru-hole Part Number	SMD Part Number	Turns Ratio ($\pm 5\%$)	OCL min. (mH)	PRI-SEC C_{www} max. (pF)	Leakage L_L max. (μ H)	Pri. DCR max. (Ω)	Sec. DCR max. (Ω)	Schem. Style	Primary Pins
T-10148	T-11048	1:2CT & 1:2CT	1.2	30	.5	.7	1	Dual-A	14-12, 5-7
T-10149	T-11049	1:2CT & 1:1.36	1.2	35	.5 & .8	.8	1.8	Dual-B	14-12, 5-7
T-10150	T-11050	1:2CT & 2CT:1	2.0	45	.6 & .6	.7 & 1	1 & .7	Dual-C	14-12, 5-7
T-10151	T-11051	1CT:2CT & 1:1	1.2	30	.55 & .5	.7 & .7	1.1 & .7	Dual-D	1-3, 10-8
T-10152	T-11052	1.58:2CT & 1.58:1	0.8	30	.5	.5 & .5	.5 & .3	Dual-E	1-3, 5-7
T-10153	T-11053	2:2CT & 2:1	0.8	30	.6	.5 & .5	.5 & .2	Dual-E	1-3, 5-7
T-10154	T-11054	2.62:2CT & 2.62:1	1.2	30	.8	.6 & .6	.5 & .3	Dual-E	1-3, 5-7
T-10155	T-11055	1CT:1 & 1:1	1.2	30	.5 & .8	.7 & .7	.7 & .7	Dual-E	5-7, 14-12
T-10156	T-11056	1:1CT & 2.53CT:1	.06 & 2.0	23 & 25	.75 & 1.5	.6 & .7	.6 & 1	Dual-C	10-8, 1-3
T-10157	T-11057	1:1CT & 2CT:1	.06 & 3.2	25 & 30	.75 & .8	.6 & .7	.6 & .7	Dual-C	10-8, 1-3

- ET-Product of 10 V- μ sec min.
- OCL Measured across Primary @ 100 kHz & 20mV

Physical Dimensions
inches (mm)



For Complete Details including
PDF Catalogs & Data Sheets on this
and other product families visit

www.rhombus-ind.com