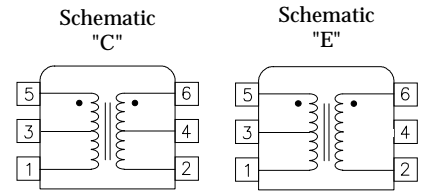


Pulse Transformers for Maxim "MAX253" Thru-hole & Surface Mount

RS-485 Data Interface Applications
RS-232 Data Interface Applications
1800 V_{RMS} Minimum Isolation
Custom Designs and Variations on
electrical data available



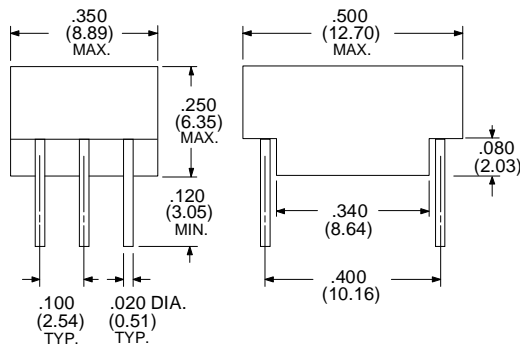
Electrical Specifications ^{1,2} at 25°C

T6-Pkg. Part Number	Wide-SMD Part Number	Turns Ratio (± 5 %)	OCL min. (mH)	PRI-SEC C _{wvw} max. (pF)	Leakage L _L max. (μH)	Pri. DCR max. (Ω)	Sec. DCR max. (Ω)	ET * min. (V-μS)	Schem. Style
T-941	T-971	1CT:1	1.2	45	0.6	0.7	0.7	20	E
T-942	T-972	1CT:1.3CT	1.2	45	0.6	0.7	0.9	20	C
T-943	T-973	1CT:2.1CT	0.8	35	0.4	0.6	1.4	12	C
T-944	T-974	1CT:5CT	1.2	45	0.6	0.7	3.5	20	C
T-945	T-975	1CT:1CT	1.2	45	0.6	0.7	0.7	20	C

1. Primary Pins for all parts listed are pins 1-5.
2. Temp range is -40°C to +85°C

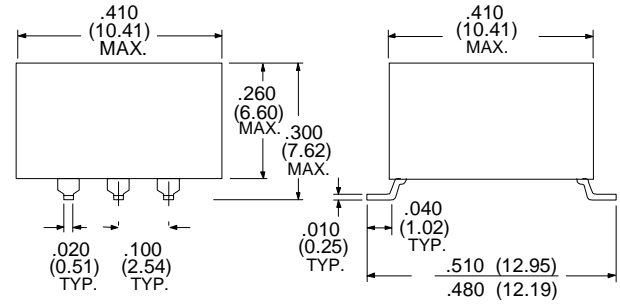
* **Due to High ET Product, these parts are recommended for all applications where FS is High, Open, or Low.**

"T6" Package
T-941 thru T-945



Physical Dimensions
inches (mm)

Wide-SMD Package
T-971 thru T-975



SMD available
on Tape & Reel

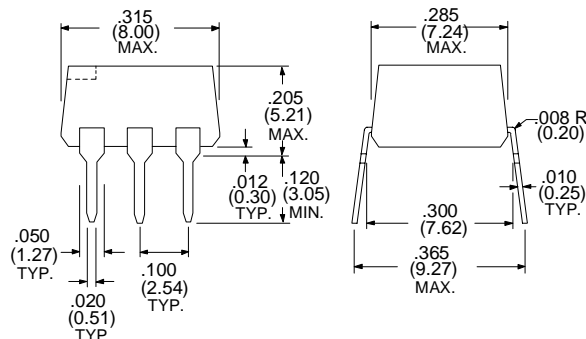
Electrical Specifications ^{1,2} at 25°C

DIP Part Number	SMD Part Number	Turns Ratio (± 5 %)	OCL min. (mH)	PRI-SEC C _{wvw} max. (pF)	Leakage L _L max. (μH)	Pri. DCR max. (Ω)	Sec. DCR max. (Ω)	ET ** min. (V-μS)	Schem. Style
T-1106	T-1106G	1CT:1	1.2	60	0.8	0.8	0.8	12	E
T-1107	T-1107G	1CT:1.3CT	1.2	60	0.8	0.8	1.0	12	C
T-1108	T-1108G	1CT:2.1CT	0.8	50	0.6	0.7	1.6	8	C
T-1110	T-1110G	1CT:1CT	1.2	60	0.8	0.8	0.8	12	C

1. Primary Pins for all parts listed are pins 1-5.
2. Temp range is -40°C to +85°C

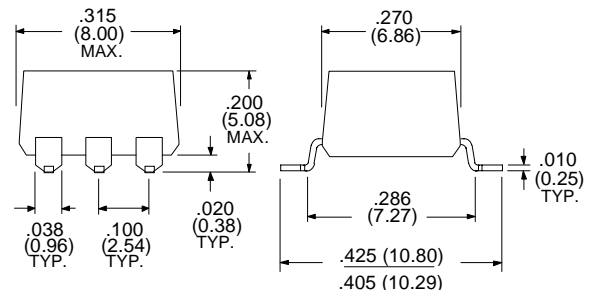
** **Due to lower ET Product, these parts are only recommended for applications where FS is High or Open.**

6-Pin DIP Package
T-941 thru T-945



SMD available
on Tape & Reel

6-Pin SMD Package
T-1106G thru T-1110G



Specifications subject to change without notice.

For other values & Custom Designs, contact factory.

MAXIM - 4/99