

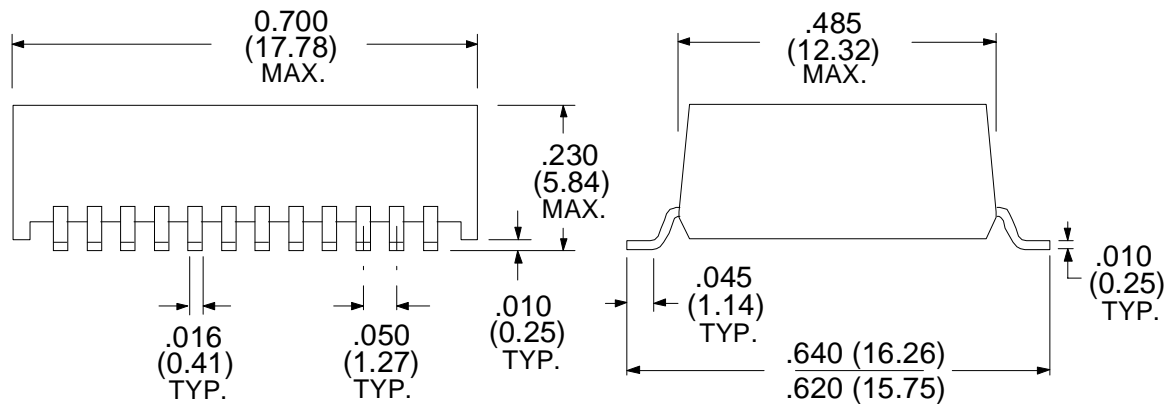
1000BASE - T MAGNETICS MODULE

24 PIN SMD 1 - PORT 1000BASE - TX MAGNETICS DESIGNED TO MEET REQUIREMENTS OF 1GBIT APPLICATIONS OPERATING TEMPERATURE 0/+70°C.

Electrical Specifications at 25° C

Part Number	Insertion Loss (dB MAX)	Return Loss (dB MIN @ 100Ω)					Crosstalk (dB MIN)			Differential to Common Mode Rejection (dB MIN)			Hipot (Vrms MIN)
		1-30MHz	40MHz	50MHz	60-80MHz	100MHz	30MHz	60MHz	100MHz	30MHz	60MHz	100MHz	
T-17300	1.0	-18	-14.4	-13.1	-12	-10	-45	-40	-35	-43	-37	-33	1500
T-17301	1.0	-18	-14.4	-13.1	-12	-10	-45	-40	-35	-43	-37	-33	1500

- Designed for long haul Gigabit Ethernet 100/1000Base-T, full duplex applications
- Cable interface for isolation and low common mode emissions
- Supports 4 pairs of category 5 UTP cable
- Compliant with IEEE 802.3ab standard for 1000Base-T

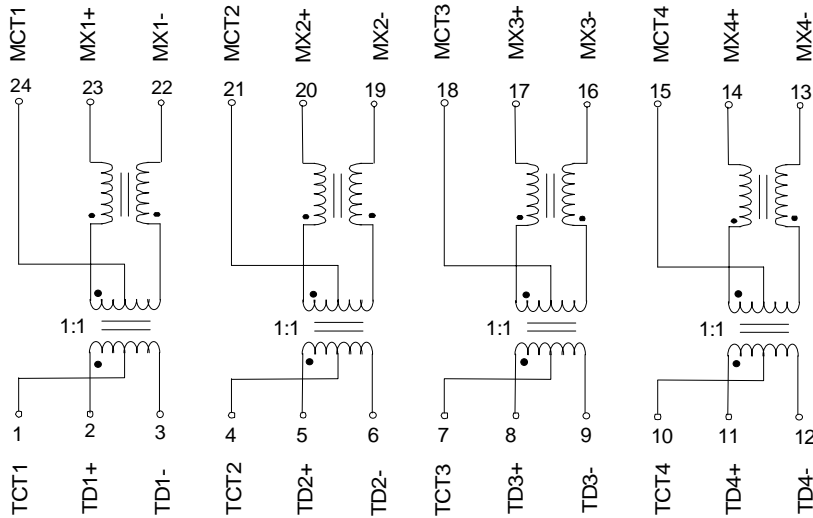


Dimensions in inches (mm)

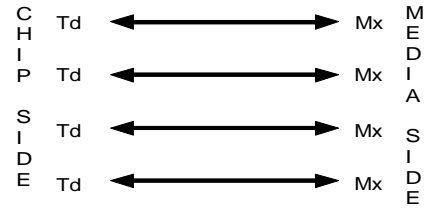
1000DP24

SCHEMATICS

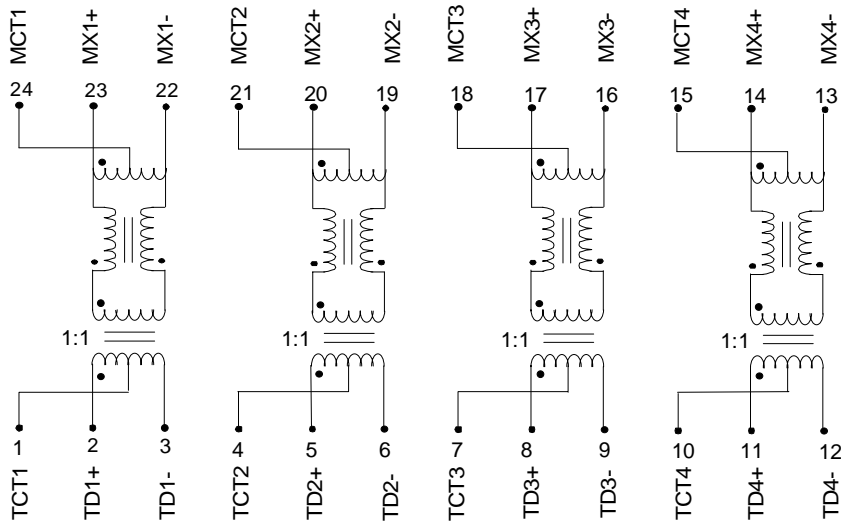
T-17300



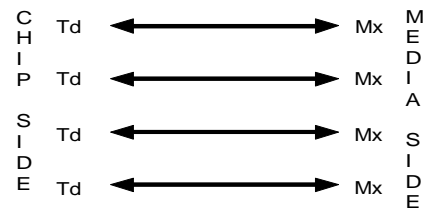
LEGEND



T-17301



LEGEND



1000DP24