

# 10/100 BASE-TX DUAL PORT TRANSFORMER MODULES

**FOR USE WITH TRANSCEIVERS  
REQUIRING 1 : 1 TRANSMIT AND  
RECEIVE TURNS RATIOS**

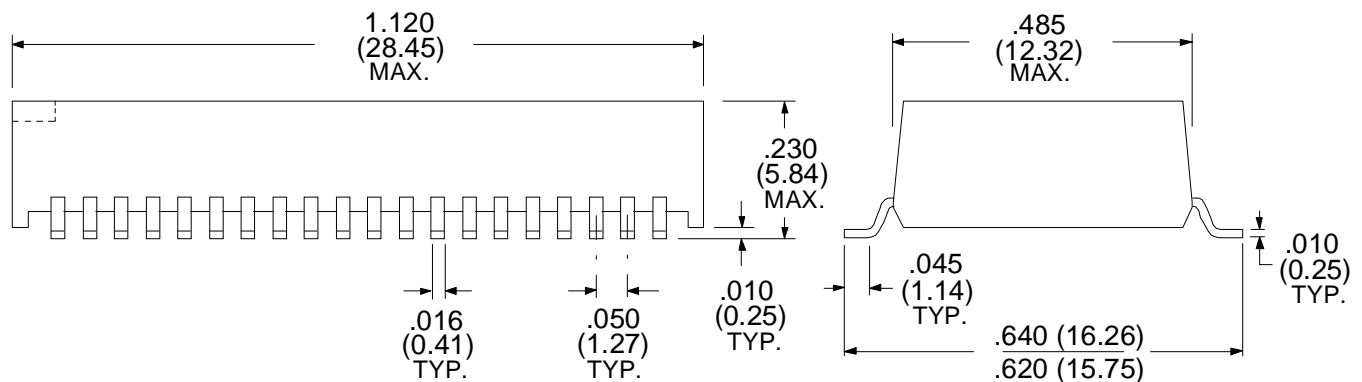
Electrical Specifications at 25° C

Part Number	Insertion Loss (dB TYP)	Return Loss (dB MIN)				Crosstalk (dB TYP)				Common to Common Rejection Ratio 0.1-60 MHz (dB TYP)		Differential Common Mode Rejection (dB TYP)	
		2-30MHz	40MHz	50MHz	60-80MHz	1MHz	30MHz	60MHz	100MHz	Transmit	Receive	1-60MHz	60-200MHz
T-16300	-0.5	-21	-17	-14.5	-12	-65	-55	-45	-35	-30	-30	-40	-30
T-16301	-0.5	-21	-17	-14.5	-12	-65	-55	-45	-35	-45	-30	-53	-40
T-16302	-0.5	-21	-17	-14.5	-12	-65	-55	-45	-35	-40	-30	-45	-35
T-16303	-0.5	-21	-17	-14.5	-12	-65	-55	-45	-35	-40	-30	-45	-35
T-16304	-1.2	-16	-14	-13.0	-12	-50	-45	-40	-35	-40	-30	-37	-33

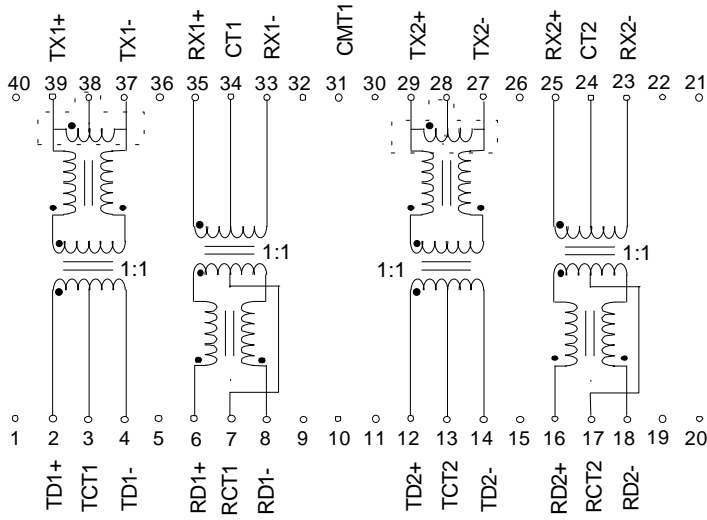
- ▶ Compliant with IEEE 802.3u and ANSI X3.263 standards including 350 μH OCL with 8 mA bias
- ▶ IC grade transfer-molded package withstands 25°C peak temperature profile
- ▶ Modules designed to support two RJ-45 connectors

## PHYSICAL DIMENSIONS inches (mm)

*Tape & Reel  
Available*



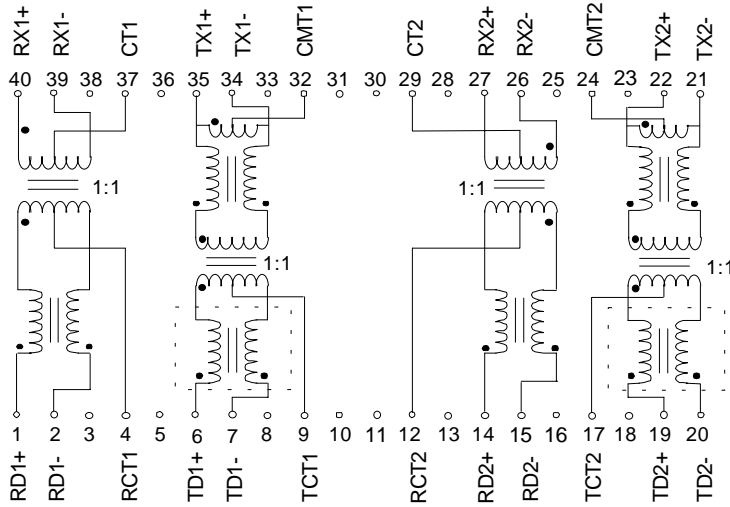
100-DP40



**T-16300 & T-16304**



T-16304 includes the shunt choke

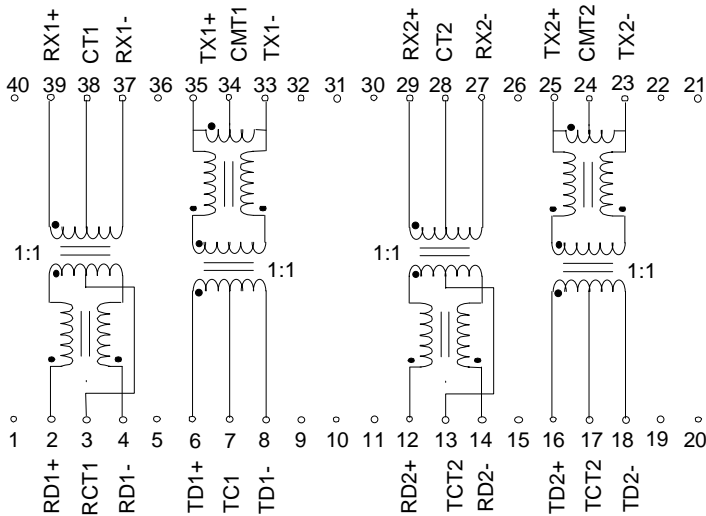


**T-16301 & T-16302**



T-16301 has input common mode choke on pins 6-7 and pins 19-20.

T-16302 does not have the additional choke.



**T-16303**