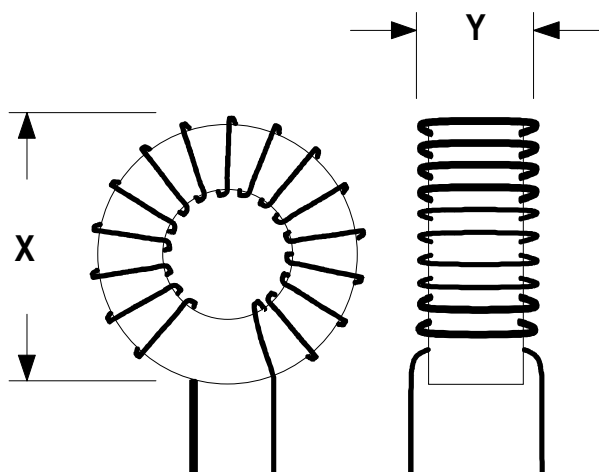


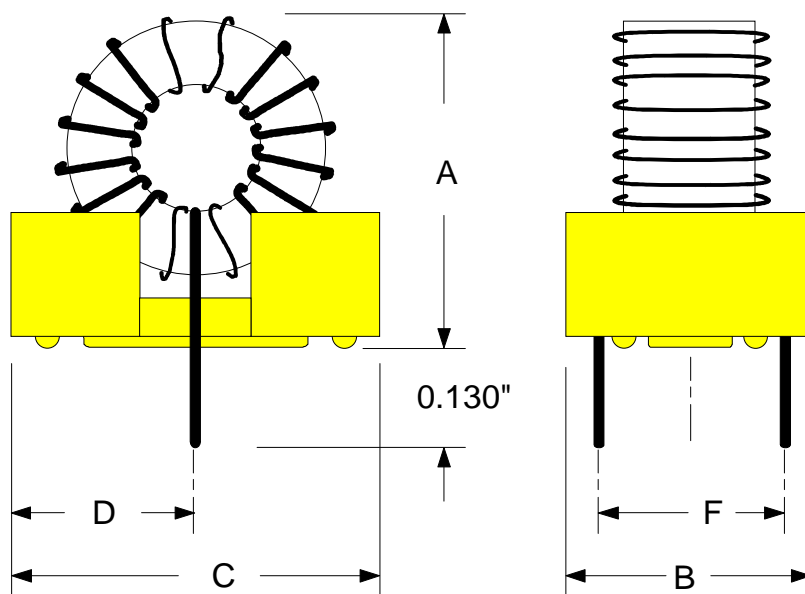
SELF-LEADED AND CLIP MOUNT TOROID



Bare Coil Size Chart

Size Code	Dim. in inches	
	X	Y
1	0.515	0.235
2	0.575	0.265
3	0.890	0.340
4	1.150	0.530
5	1.400	0.535
6	1.520	0.510
7	1.950	0.820
8	2.150	0.660
9	2.400	0.670

Dimensions are nominal, based upon largest wire size used with each toroid size. Smaller wire will result in slightly lower dimensions.



Clip Mount Package Size Chart

Size Code	Typical Dimensions in Inches				
	A	B	C	D	F
1	0.600	0.340	0.580	0.290	0.220
2	0.650	0.450	0.650	0.325	0.300
3	0.950	0.600	0.948	0.475	0.450
4	1.250	0.700	1.250	0.625	0.500