

SURFACE MOUNT DRUM CORE INDUCTOR SIZE 4

Electrical Specifications at 25°C.

| Part Number | L ¹ +20% (μH) | I _{SAT} ² (Amps) | DCR max. (Ω) | SRF Typ. (MHz) |
|-------------|--------------------------------|---|--------------------|----------------------|
| L-19513 | 1.0 | 20 | .009 | 80 |
| L-19514 | 2.2 | 16 | .018 | 65 |
| L-19515 | 3.3 | 14 | .020 | 40 |
| L-19516 | 5.6 | 12 | .022 | 28 |
| L-19517 | 10 | 10 | .038 | 24 |
| L-19518 | 15 | 8.0 | .045 | 14 |
| L-19519 | 22 | 7.0 | .050 | 11 |
| L-19520 | 33 | 5.5 | .066 | 10 |
| L-19521 | 47 | 4.5 | .095 | 7 |
| L-19522 | 68 | 3.5 | .130 | 6 |
| L-19523 | 100 | 3.0 | .160 | 5 |
| L-19524 | 150 | 2.6 | .250 | 4 |
| L-19525 | 220 | 2.4 | .350 | 2.8 |
| L-19526 | 330 | 1.9 | .580 | 2.4 |
| L-19527 | 470 | 1.4 | .800 | 2.0 |
| L-19528 | 680 | 1.2 | 1.10 | 1.6 |
| L-19529 | 1000 | 1.0 | 1.70 | 1.4 |

Our surface mount drum core inductors are designed for small board spaces, low cost and high performance.

High current per volume.

Reflow compatible.

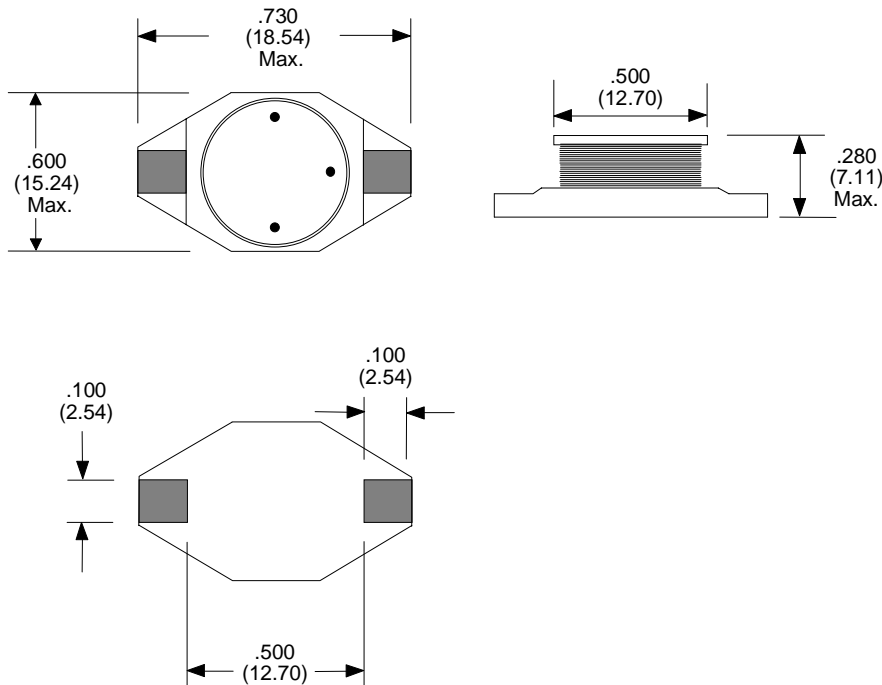
Flat top for pick and place.

Packaged in Tape and Reel

(Minimum order restrictions may apply)

Notes:

1. Inductance tested at 100 mV_{RMS} and 100 kHz.
2. Current for 10% drop in Inductance typical.



SMTDRUM4