

SURFACE MOUNT DRUM CORE INDUCTOR SIZE 1

Electrical Specifications at 25°C.

Part Number	L ¹ ±20% (μH)	I ² _{SAT} (Amps)	DCR Max (Ω)	SRF Typ. (MHz)
L-19549	1.0	2.90	.050	88
L-19550	1.5	2.60	.050	66
L-19551	2.2	2.30	.070	63
L-19552	3.3	2.00	.080	45
L-19553	47	1.50	.090	41
L-19554	6.8	1.20	.130	31
L-19555	10	1.10	.160	27
L-19556	15	0.90	.260	23
L-19557	22	0.70	.370	19
L-19558	33	0.58	.510	14
L-19559	47	0.50	.640	12
L-19560	68	0.40	.860	10
L-19561	100	0.31	1.27	8.7
L-19562	150	0.27	2.00	6.5
L-19563	220	0.22	3.11	5.2
L-19564	330	0.18	3.80	4.4
L-19565	470	0.06	7.00	3.7
L-19566	680	0.14	9.20	3.2
L-19567	1000	0.10	14.80	2.7

Our surface mount drum core inductors are designed for small board spaces, low cost and high performance.

High current per volume.

Reflow compatible.

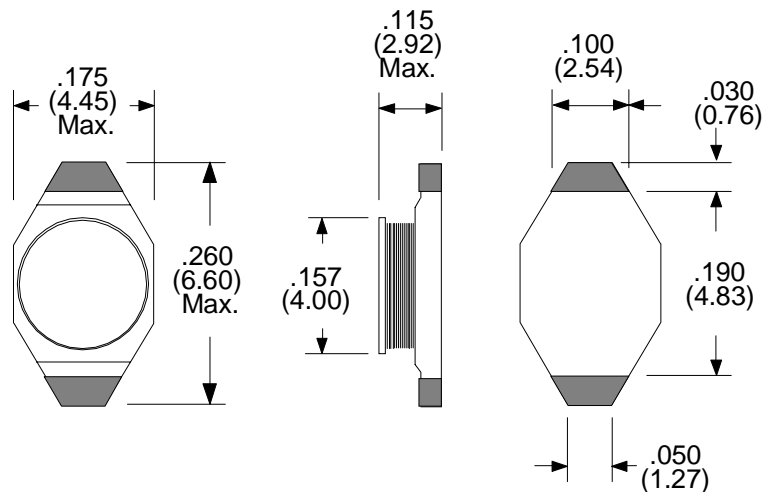
Flat top for pick and place.

Packaged in Tape and Reel
(Minimum order restrictions may apply)

Notes:

1. Inductance tested at 100 mV_{RMS} and 100 kHz.
2. Current for 10% drop in Inductance typical.

Dimensions in inches (mm)



SMTDRUM1