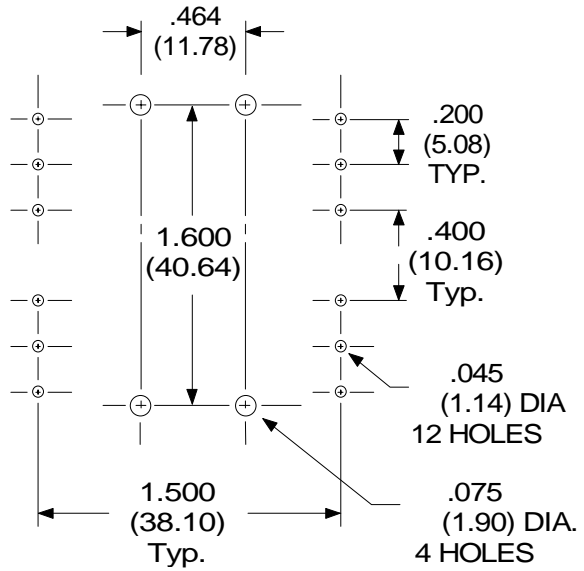
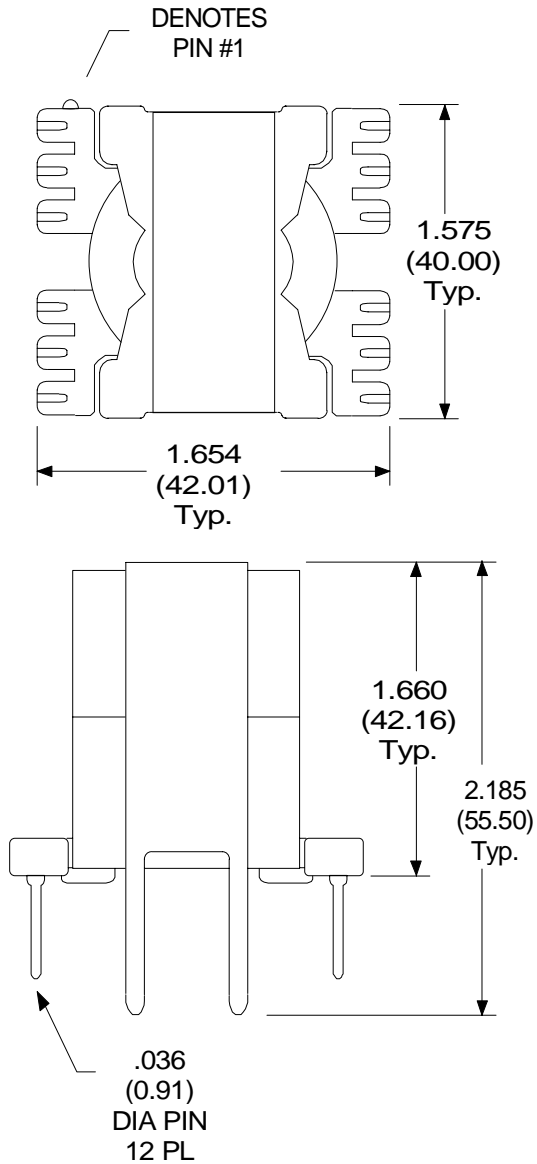


# PQ4040



HOLE PATTERN  
COMP. SIDE

Footprint

05/11/00