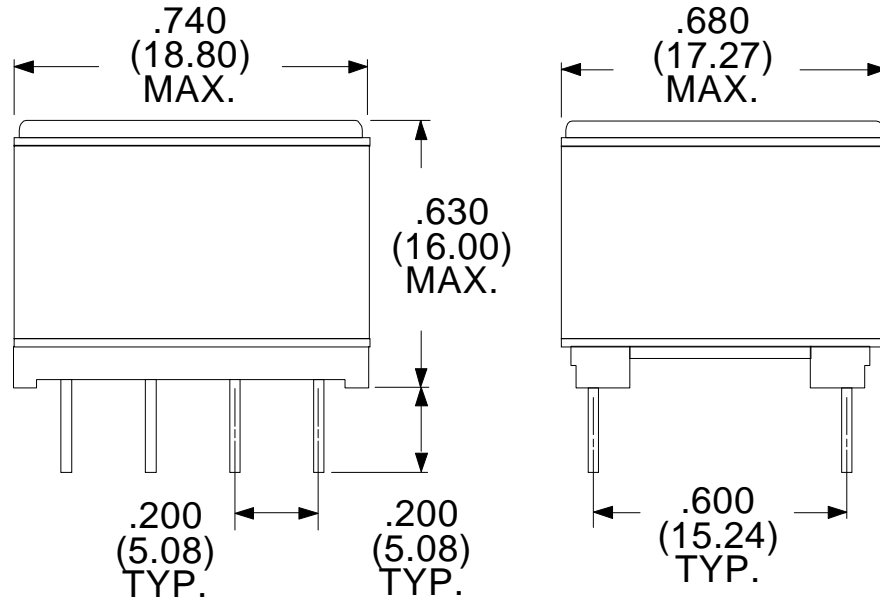
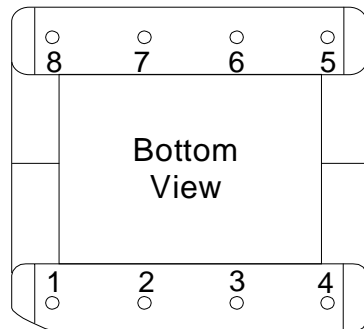


EP17-8

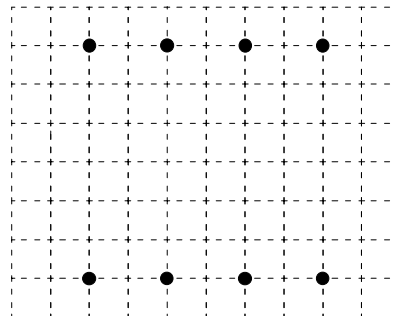


Pin Diameter
is 0.025 (0.64)



Pin Position Grid 0.100 (2.54)

● Holes For Bobbin Pins



07/02/98