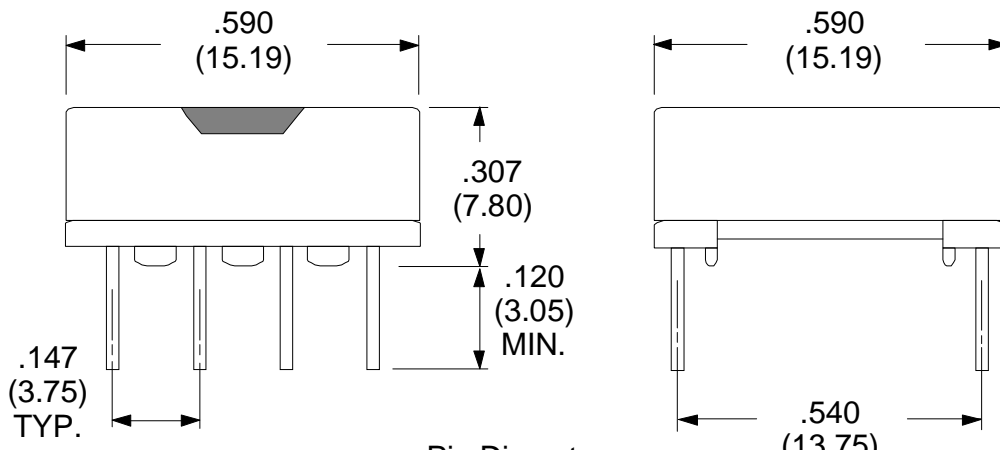
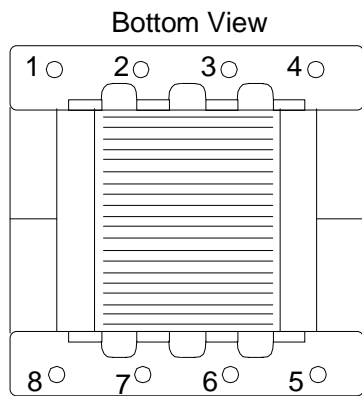


EFD15-8



Pin Diameter
is 0.024 (0.6)



07/02/98