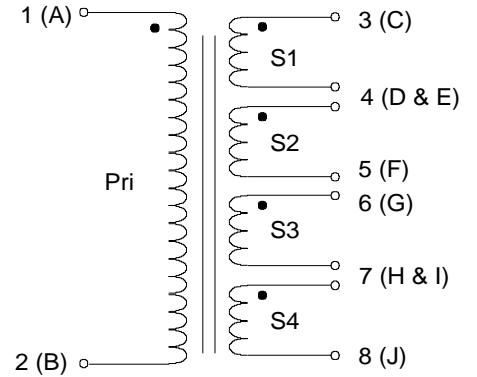


PARAMETER		UNITS
Primary Impedance	600	$\Omega$
Turns Ratio*	1.0 : 0.5 : 0.5 : 0.5 : 0.5	
Longitudinal Balance		dB
Primary DC Resistance*	49	$\Omega$ nom.
Secondary DC Resistance*	62	$\Omega$ nom.
Frequency Response 300 - 3000Hz	0.3	dB nom.
Insertion Loss	1.5	dB nom.
Isolation (HI-POT)	800	$V_{RMS}$
Insulation Resistance		M $\Omega$
Primary DC	0	mA

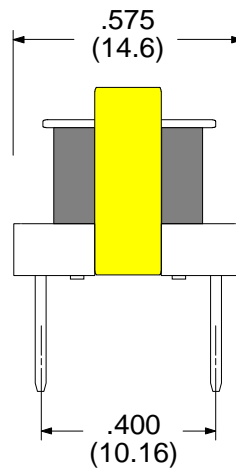
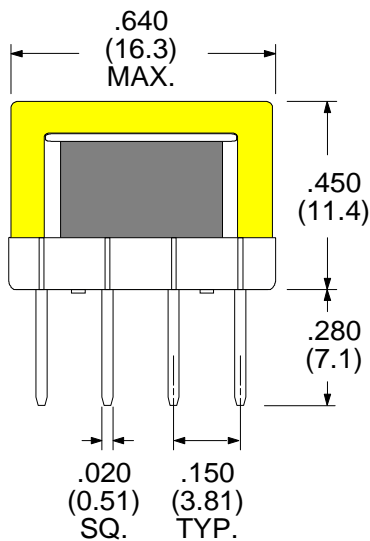
# T-980

## SCHEMATIC DIAGRAM:

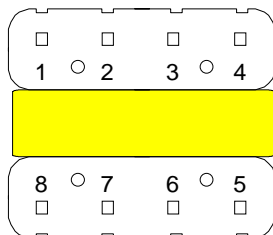


S1 & S2 share pin #4  
S3 & S4 share pin #7

\*two secondaries in series



Physical Dimensions  
in inches (mm)



## RHOMBUS INDUSTRIES INC. FSCM NO. 16714

RHOMBUS P/N: T-980

CUST P/N:

NAME:

DATE: 12/17/97

SHEET: 1 OF 1