

# Digital Audio Data Transmission Transformer

## (For Use with Crystal Semiconductor's CS8401, CS8402)

Turns Ratio ( $\pm 5\%$ ) 1 : 1

PARAMETER	MIN.	MAX.	UNITS
Open Circuit Inductance	2.0	3.0	mHy
Leakage Inductance		0.50	$\mu$ Hy
Rise Time		25	nSec
DC Resistance		0.7	ohms
Isolation (HI-POT)	2.0		KV <sub>RMS</sub>
ET Product	20		V $\mu$ S
Common Mode Rejection (@ 1MHz in 100 $\Omega$ System)	70		dB
Return Loss (100kHz - 10MHz)	22		dB

3 dB bandwidth 100kHz to 10 MHz typical

TEST CONDITIONS: Oscillation Voltage = 20mV, Oscillation Frequency = 100.0 KHz

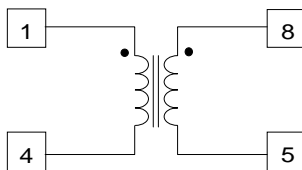
Flammability: Materials used in the production of these units meet requirements of UL94-VO and IEC 695-2-2 needle flame test.

Operating Temperature Range: 0°C to +70°C

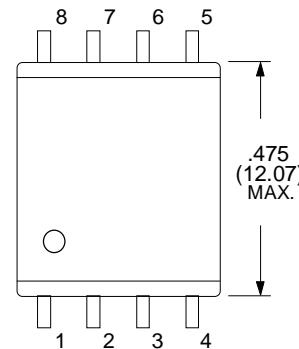
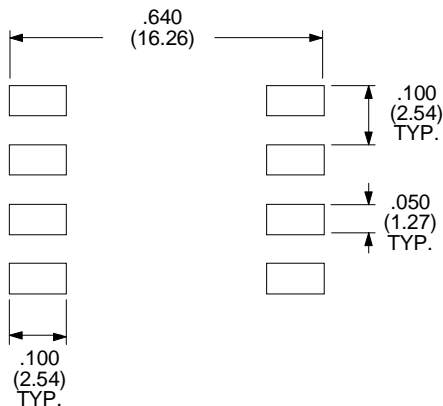
Parts shipped in anti-static tubes.  
44 pieces per tube

Tape & Reel Available

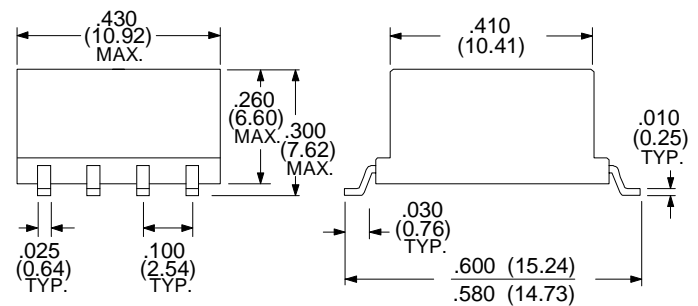
SCHEMATIC DIAGRAM



SUGGESTED PAD LAYOUT



Dimensions in Inches (mm)



### **RHOMBUS INDUSTRIES INC.**

### **FSCM NO. 16714**

RHOMBUS P/N: T-934

CUST P/N:

NAME:

DATE: 10/12/96

SHEET: 1 OF 1