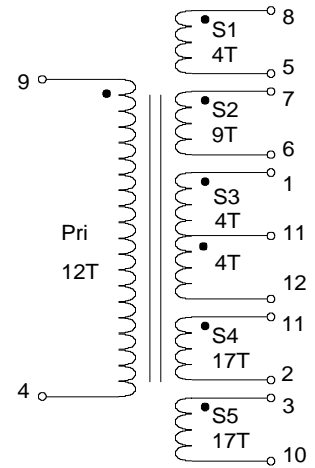


FLYBACK TRANSFORMER

Electrical Specifications at 25°C

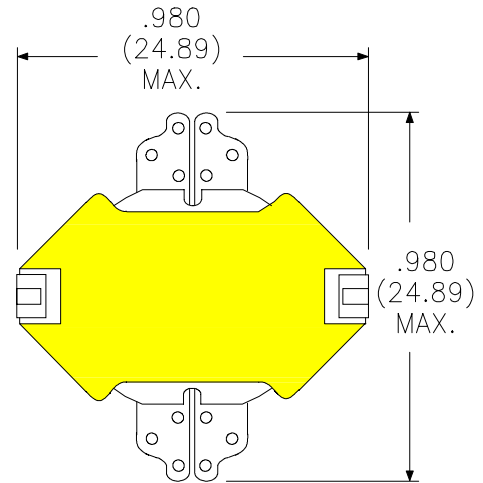
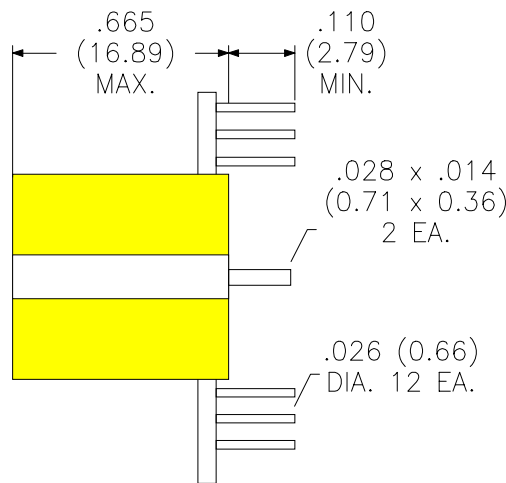
| Parameter | Nominal | Max. | Units |
|---|---------|------|-------|
| Primary Inductance (Pins 9-4 Device Side) | 36.0 | | μH |
| Interwinding Capacitance | 45 | | pF |
| Leakage Inductance | 0.33 | | μH |
| Primary DC Resistance (P) (9-4) | 99 | | mΩ |
| Secondary DCR (S1) (8-5) | 20 | | mΩ |
| Secondary DCR (S2) (7-6) | 60 | | mΩ |
| Secondary DCR (S3) (1-12) | 75 | | mΩ |
| Secondary DCR (S4) (11-2) | 130 | | mΩ |
| Secondary DCR (S5) (3-10) | 120 | | mΩ |

Schematic Diagram

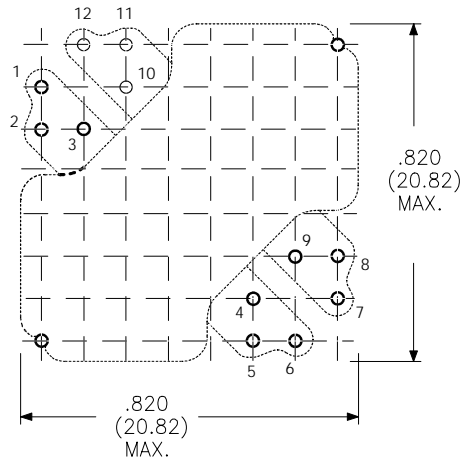


Grade A: 1K VDC between all windings and winding to core.

Physical Dimensions
inches (mm)



0.100 Inch (2.54 mm) Grid



**Electro Magnetic Shield
connected to ground clip**

| | |
|--------------------|---------------|
| RHOMBUS P/N: T-928 | |
| CUST P/N: | NAME: |
| DATE: 8/11/97 | SHEET: 1 OF 1 |