

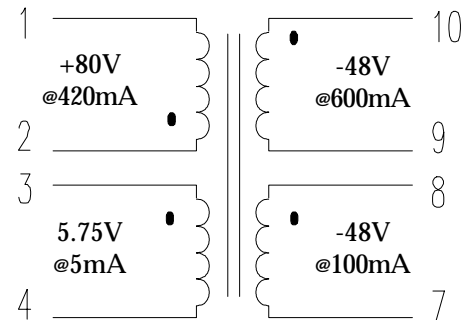
Flyback Transformer P/N T-906

Parameter	Min.	Typ.	Max.	Units
Inductance (1-2)	1.33			mH
¹ Leakage Inductance			30	μH
² Interwinding Capacitance			70	pF
DC Resistance (1-2)		0.69		Ω
(3-4)		0.34		Ω
(7-8)		2.3		Ω
(9-10)		0.28		Ω
Hi-Pot Pins (1-2) to (4-3) + (7-8) + (9+10)	3000			V _{RMS}
Operating Frequency		100		kHz

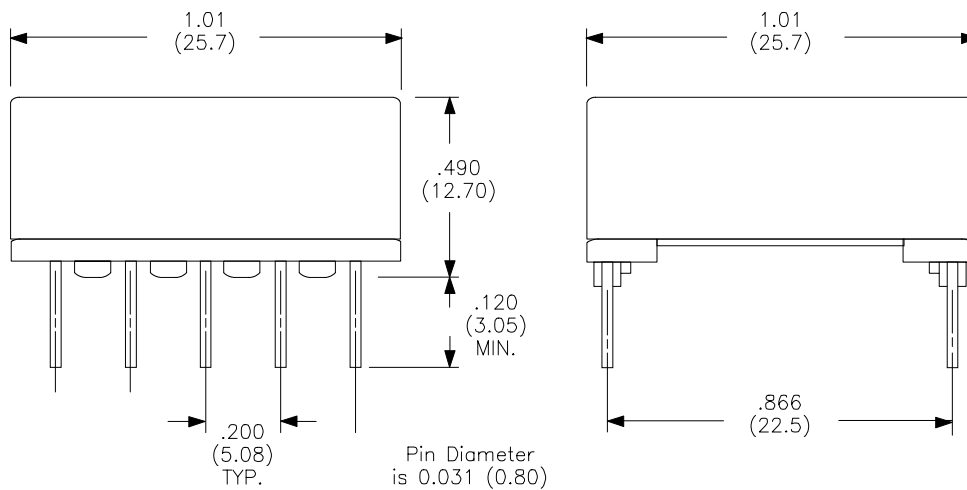
¹Connected 1-2, shorted 4,3,7,8,9,10 (10KHz - 100mV)

²Connected 1-10, shorted 4-7, 8-9 (10KHz - 100mV)

Schematic Diagram



Physical Dimensions inches (mm)



2/6/97