

# Flyback Transformer P/N T-903

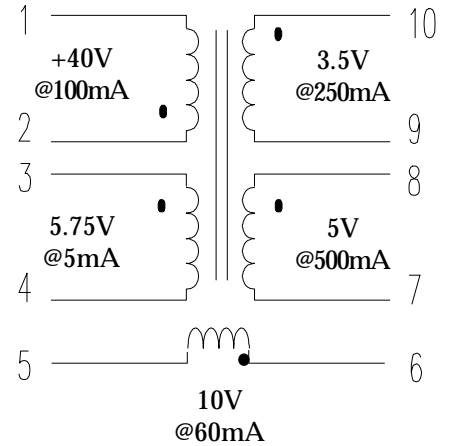
4 WATTS

Parameter	Min.	Typ.	Max.	Units
Inductance (1-2)	2.8			mH
<sup>1</sup> Leakage Inductance			35	$\mu$ H
<sup>2</sup> Interwinding Capacitance			25	pF
DC Resistance (1-2)		0.7		$\Omega$
(3-4)		0.03		$\Omega$
(5-6)		0.15		$\Omega$
(7-8)		0.30		$\Omega$
(9-10)		0.35		$\Omega$
Hi-Pot Pins (1-2) to (4-3) + (5-6) (7-8) + (9+10)	3000			V <sub>RMS</sub>
Operating Frequency		100		kHz

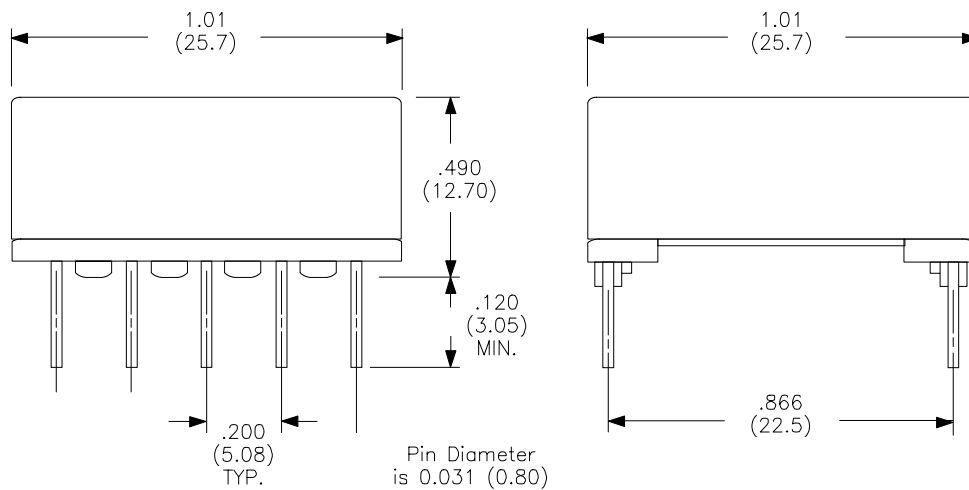
<sup>1</sup>Connected 1-2, shorted 3,4,5,6,7,8,9,10 (10KHz - 100mV)

<sup>2</sup>Connected 1-10, shorted 4-5, 6-7, 8-9 (10KHz - 100mV)

## Schematic Diagram



## Physical Dimensions inches (mm)



3/18/97