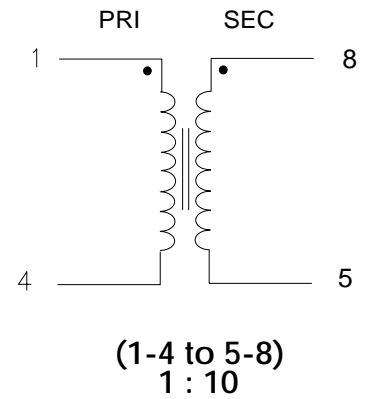


# Flyback Transformer P/N T-836

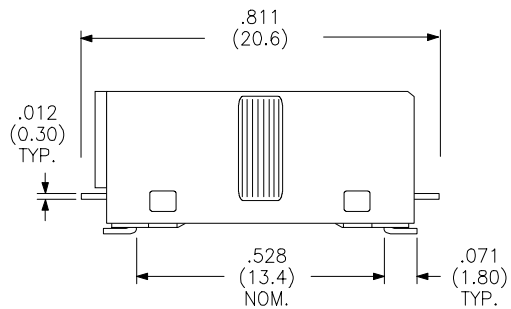
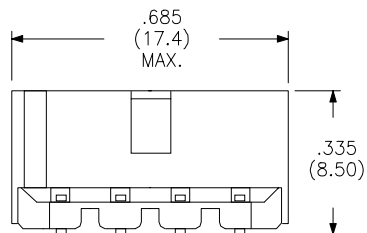
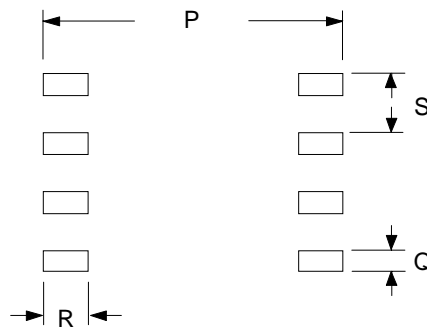
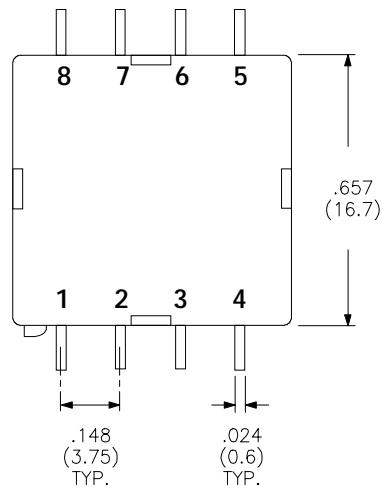
## 10 Watt

Turns Ratio (1 - 4 to 5 - 8)		1:10 ± 2%			
Parameter		Min.	Typ.	Max.	Units
Inductance	(1-4)		20		μH
Leakage Inductance			.25		μH
Interwinding Capacitance			20		pF
DC Resistance	(1-5)		20		mΩ
	(2-9)		1300		mΩ
Hi-Pot	(1-4) to (5-8)	1000			V <sub>RMS</sub>
Primary current			1		A
Operating Frequency			500		kHz

Schematic Diagram



Physical Dimensions  
inches (mm)



02/5/97