

Pulse Transformer

Turns Ratio ($\pm 5\%$) 4 : 1 : 1

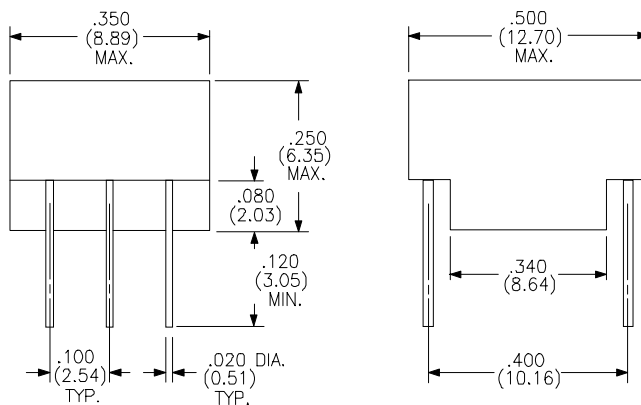
Flammability: Materials used in the production of these units meet requirements of UL94-VO and IEC 695-2-2 needle flame test.

Parts shipped in anti-static tubes. 50 pieces per tube

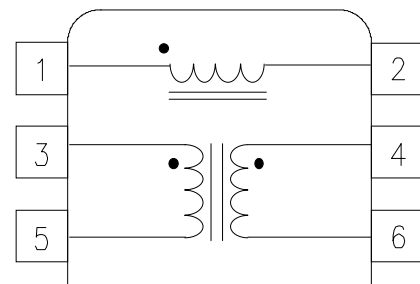
Electrical Specifications @ 25°C

PARAMETER	MIN.	MAX.	UNITS
Open Circuit Inductance 20mV, @ 10.0 KHz (Pins 1-2)	0.8		mH
Leakage Inductance 20mV, @ 100.0 KHz (Pins 1-2 short Pins 3, 4, 5, 6)		2.0	μ H
Interwinding Capacitance ($C_{w/w}$) 20 mV, @ 100.0 KHz (Pins 1-2 to 4-5)		8	pF
Primary DC Resistance (Pins 1-2)		0.30	ohms
Secondary DC Resistance (3-5 or 4-6)		0.15	ohms
Isolation (HI-POT)	1.5 Kv		V_{RMS}

PHYSICAL DIMENSIONS inches (mm)



SCHEMATIC DIAGRAM



Primary Pins 1-2

Rhombus P/N: **T-704**

Cust. P/N:

Name:

Date: **1/19/99**

Sheet: 1 of 1