

SWITCH MODE TRANSFORMER

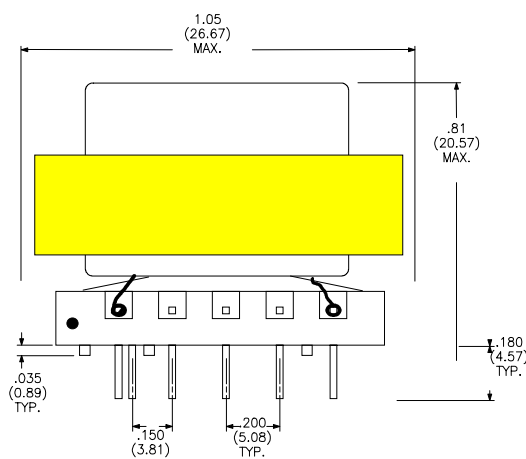
Turns Ratio	1 : 2CT		
-------------	---------	--	--

PARAMETER	MIN.	MAX.	UNITS
Inductance	80		mHy
Leakage Inductance		300	μ Hy
DCR Primary		.68	Ohms
DCR Secondary		.52	Ohms
Interwinding Capacitance		25	Pf
Hipot	1500		V _{RMS}

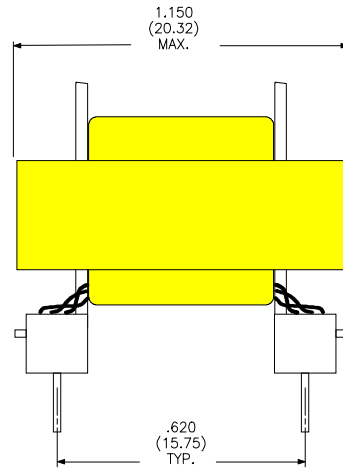
Materials used in the construction of this component meet or exceed UL Class B and can withstand temperatures up to 130^o C

Operating Temperature:
-40^oC to +85^oC

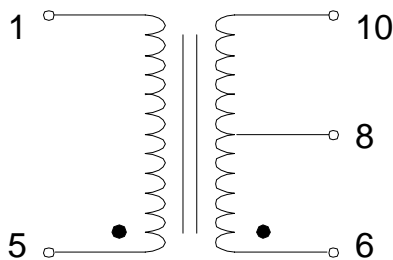
PHYSICAL DIMENSIONS All dimensions in inches (mm):



Note: 150^o Spacing Only
Between Pins 1 & 2



SCHEMATIC DIAGRAM



RHOMBUS P/N: **T-693**

CUST P/N:

NAME:

DATE: **9/29/99**

SHEET: 1 OF 1