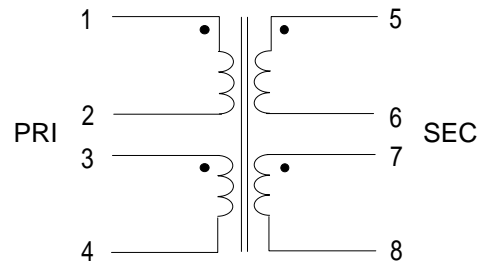


Low Profile PC Power Transformer

PARAMETER		UNITS
Power Rating	20	mVA
Secondary Ratings	$2 \pm 5\%$	V
Series Connected 2-3 & 6-7 (Primary 50 Hz)	10	mA
DCR Primary (pins 1-2 or 3-4)	0.13 Typ.	Ω
DCR Secondary (pins 5-6 or 7-8)	44 Typ.	Ω
Isolation 1,2,3,4 to 5,6,7,8	1500 min.	V_{RMS}

Manufactured with UL Listed materials.

Schematic Diagram

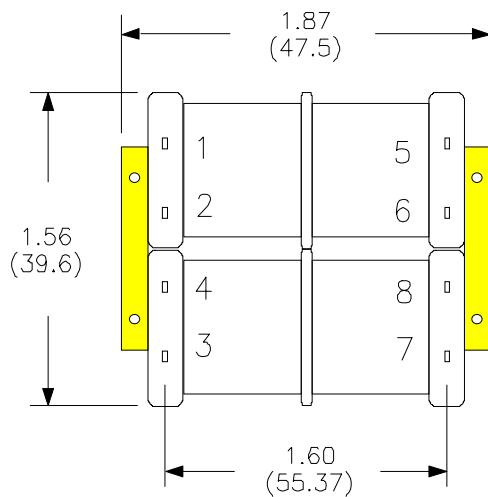


SEE BOTTOM VIEW FOR PIN OUT

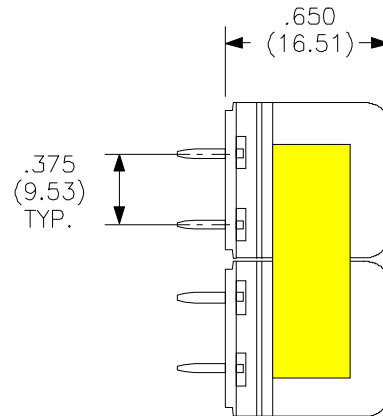
**Parallel External
Connections:**
1-3, 2-4 & 5-7, 6-8

**Series External
Connections:**
2-3 & 6-7

Physical Dimensions
inches (mm)



Bottom View



Side View

T-60367

7/24/96