

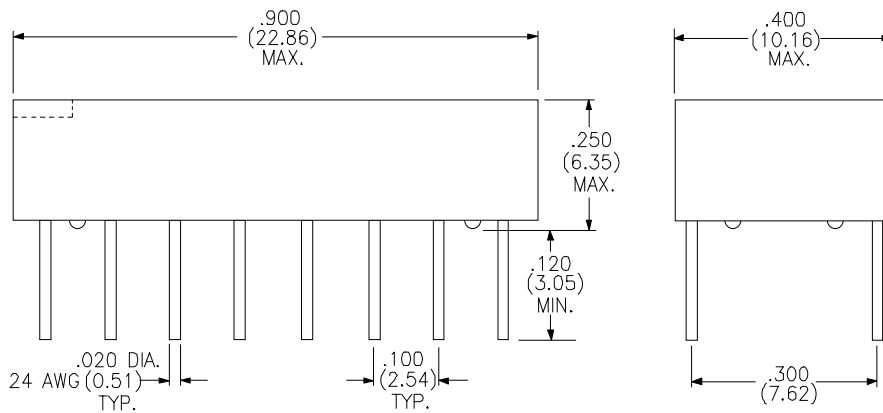
T1 CARRIER INTERFACETRANSFORMER

Turns Ratio ($\pm 5\%$)
Pin Numbers

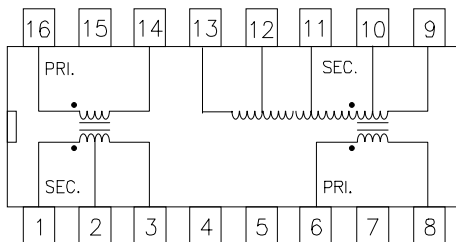
1:2CT & 1:1:1.15:1.266:2
14+16:1+3,2CT & 6+8:9+10,11,12,13

PARAMETER	MIN.	MAX.	UNITS
OCL (Primary)	1.2		mH
Leakage Inductance		0.6	μ H
Capacitance (C_{ww})		50	pF
Primary DC Resistance		1.0	ohms
Secondary DC Resistance		1.0	ohms
ET Product	10		V μ S
Hi-Pot	1500		VRMS

PHYSICAL DIMENSIONS All dimensions in inches (mm):



SCHEMATIC DIAGRAM:



RHOMBUS INDUSTRIES INC.
FSCM NO. 16714

RHOMBUS P/N: **T-555**

CUST P/N:

NAME:

DATE: **10/25/93**

SHEET: 1 OF 1