

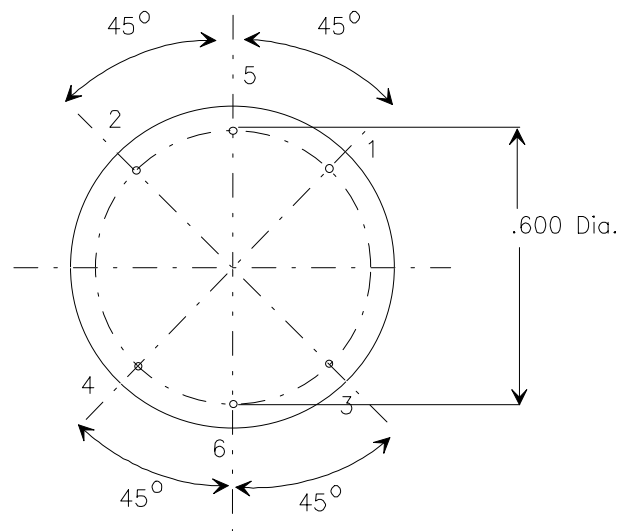
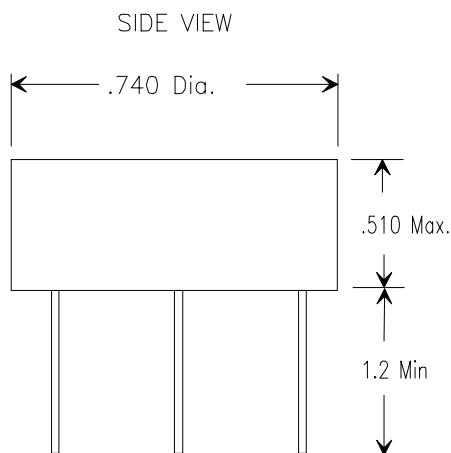
# SCR Trigger Transformer

**Turns Ratio 1:1:1**

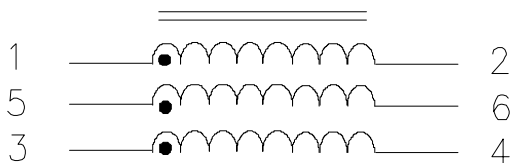
PARAMETER @25°C	MIN.	MAX.	UNITS
Inductance	12	18	mHy
Leakage Inductance		50	μHy
DC Resistance		7	Ohms
Interwinding Capacitance		49	Pf
Hipot	1850		V <sub>RMS</sub>
Operating Temp. Range	-55	+125	°C



## PHYSICAL DIMENSIONS inches (mm)



## SCHEMATIC DIAGRAM



RHOMBUS P/N: **T-524**

CUST P/N:

NAME:

DATE: **9/13/93**

SHEET: 1 OF 1