

Turns Ratio ( ± 5% )

1CT :1CT

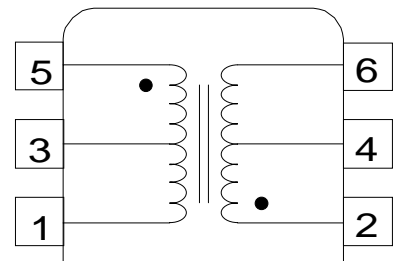
PARAMETER	MIN.	MAX.	UNITS
Open Circuit Inductance	5000		μHy
Leakage Inductance		1.3	μHy
Interwinding Capacitance ( $C_{w/w}$ )		60	pF
Primary DC Resistance		3.9	ohms
Secondary DC Resistance		3.9	ohms
Primary ET-Constant	25		Vμs
Rise Time		10.5	nS
Isolation (HI-POT)	500		V <sub>RMS</sub>
Average Power Rating	500 mW		
Dissipation Rating	150 mW		
Peak Pulse Voltage	100 volts		
Insulation Resistance	10,000 MΩ		
<b>TEST CONDITIONS:</b>			
Oscillation Voltage = 20mV			
Oscillation Frequency = 100.0 KHz TESTED WITH AN H.P. 4192A			

# MULTI-PURPOSE PULSE TRANSFORMER

Flammability: Materials used in the production of these units meet requirements of UL94-VO and IEC 695-2-2 needle flame test.

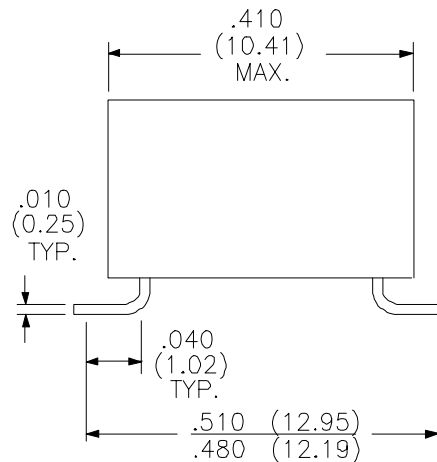
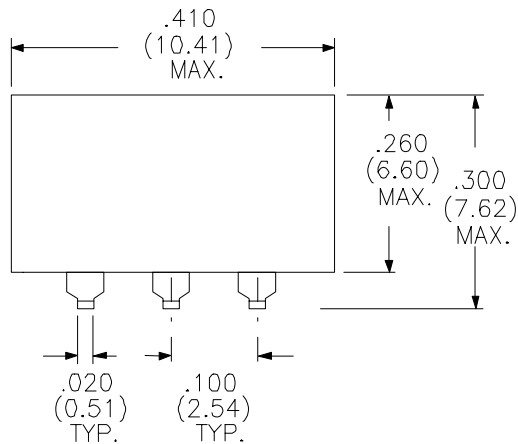
Parts shipped in anti-static tubes. 44 pieces per tube

## SCHEMATIC DIAGRAM



## PHYSICAL DIMENSIONS

All dimensions in inches (mm)



RHOMBUS P/N: **T-51109**

CUST P/N:

NAME:

DATE: 07/02/98

SHEET: 1 OF 1