

# PULSE TRANSFORMER

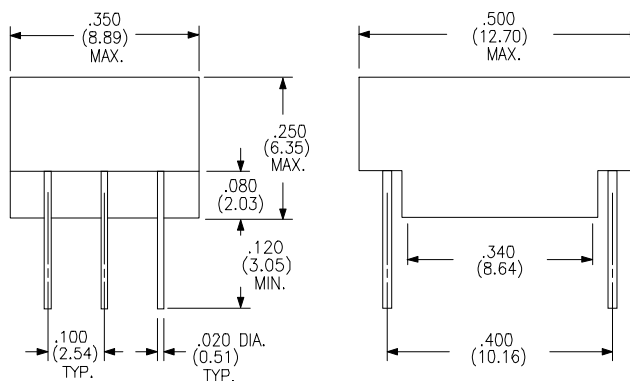
Turns Ratio ( ± 5% )	1:1:1
----------------------	-------

PARAMETER	MIN.	MAX.	UNITS
Open Circuit Inductance	750		μHy
Leakage Inductance		0.7	μHy
Interwinding Capacitance (C <sub>WW</sub> )		26	pF
Primary DC Resistance		1.8	ohms
Secondary DC Resistance		1.8	ohms
Primary ET-Constant	14		Vμsec
Isolation (HI-POT)	500		V <sub>RMS</sub>

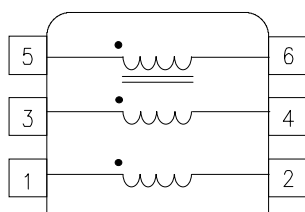
**TEST CONDITIONS:**  
 Oscillation Voltage = 500mV  
 Oscillation Frequency = 100.0 KHz TESTED WITH AN H.P. 4192A

## PHYSICAL DIMENSIONS

All dimensions in inches (mm):



## SCHEMATIC DIAGRAM:



**RHOMBUS INDUSTRIES INC.**  
**FSCM NO. 16714**

RHOMBUS P/N: T-50157

CUST P/N:

NAME:

DATE: 6/26/93

SHEET: 1 OF 1