

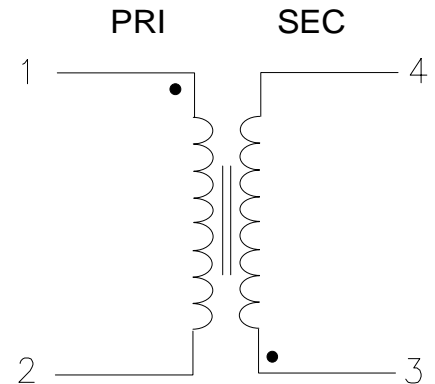
# Audio Transformer P/N T-35200-4

Impedance Matching Transformers  
for telecommunications.

Isolation is 1500 V<sub>RMS</sub> minimum  
Longitudinal Balance is 60dB minimum  
Designed to meet FCC part 68  
Custom Designs Available

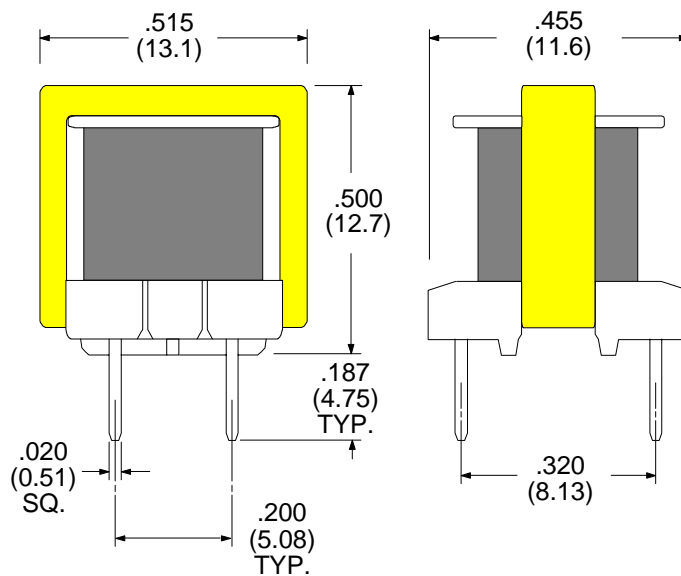
PARAMETER		UNITS
Primary Impedance	600	Ω
Secondary Impedance	600	Ω
Primary DC Resistance	49 typ.	Ω
Secondary DC Resistance	65 typ.	Ω
DC Current (Unbalanced)	0	mA
Frequency Response 300 - 3500Hz	± 0.7	dB
Insertion Loss @ 1kHz	1.7 typ.	dB
Distortion	10% typ.	

Schematic Diagram



Schematic Diagram shows  
the top view of the part.  
Notch on the bobbin  
indicates pin #1.

Physical  
Dimensions  
inches (mm)



5/29/97