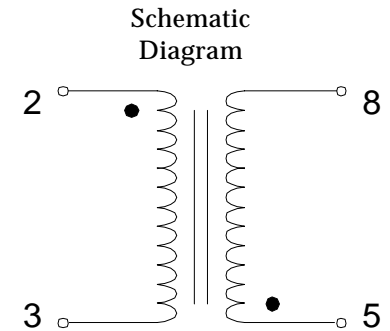


Electrical Specifications at 25°C

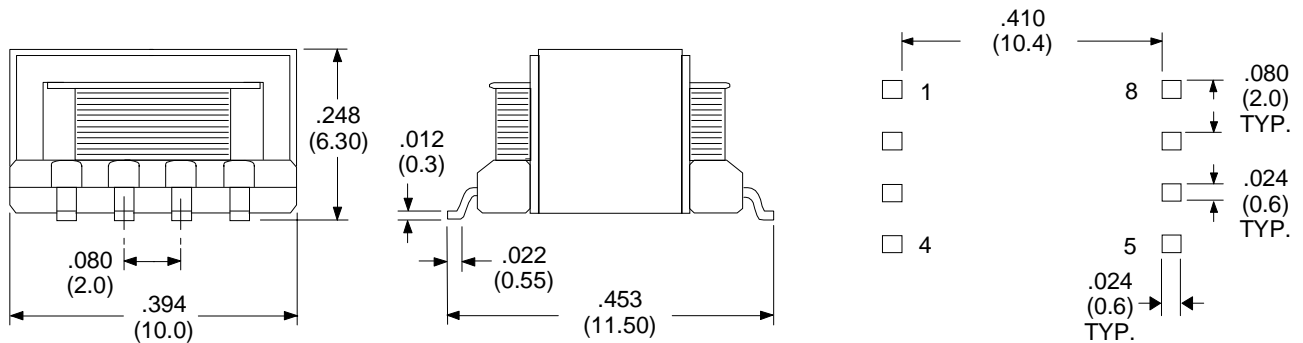
Parameter			Units
Impedance	PRI.	600	Ω
R Load	SEC.	487	Ω
Turns Ratio		1:1	
Direct Current in Pri. (DCI)	maximum	0	mA
DC Resistance	PRI. $\pm 10\%$	67	Ω
	SEC. $\pm 10\%$	85	Ω
Insertion Loss	@ 1 kHz	1.5	dB
Return Loss	Min., 300 Hz - 3.5 kHz	25	dB
Longitudinal Balance	Min., 60 Hz to 1 kHz	60	dB
Frequency Response	300 Hz to 3.5 kHz	± 0.5	dB
T.H.D.	typ. 600 Hz, -10 dBm	-60	dB
Isolation	minimum	1250	V_{RMS}

PCMCIA Modem Transformer

(Compatible with 56 kb/s Technologies)



Physical Dimensions inches (mm)



TOP VIEW

RHOMBUS P/N: **T-33000M**

CUST P/N:

NAME:

DATE: **11/3/00**

SHEET: 1 of 1