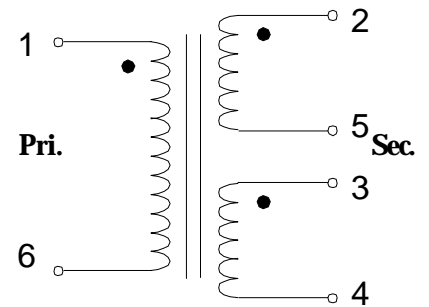


Electrical Specifications at 25°C

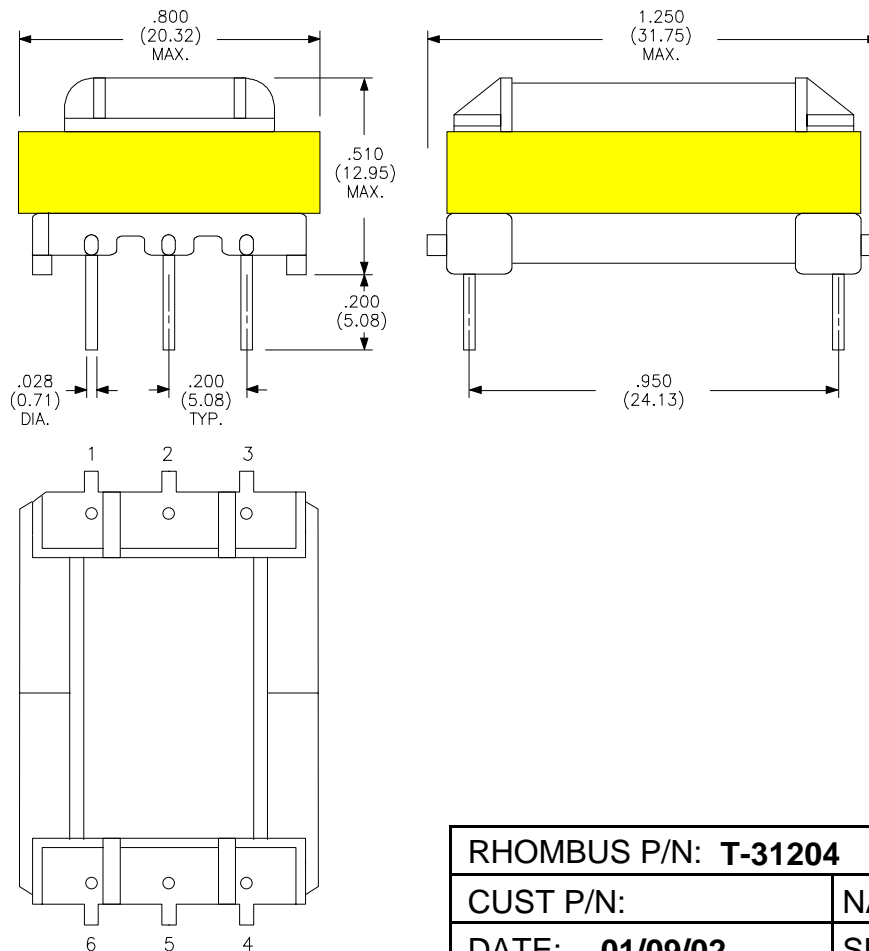
Parameter			Units
Impedance	PRI.	600	Ω
	SEC.	150/150	Ω
Turns Ratio Prim. : Sec.		1:1	
Direct Current in Pri. (DCI)	maximum	30	mA
DC Resistance	PRI. $\pm 10\%$	50	Ω
	SEC. $\pm 10\%$	20+20	Ω
Insertion Loss	max., ref. 1 kHz	1.2	dB
Longitudinal Balance	300-3500 Hz	>65	dB
Frequency Response	max., 300 to 3500 Hz	± 1.5	dB
Return Loss	ref. 1.8 kHz	>18	dB
Isolation	minimum	1500	V_{RMS}

HYBRID Transformer

Schematic Diagram



Physical Dimensions
inches (mm)



RHOMBUS P/N: T-31204	
CUST P/N:	NAME:
DATE: 01/09/02	SHEET: 1 of 1