

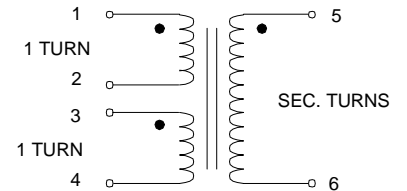
SURFACE MOUNT CURRENT SENSE TRANSFORMER

- Self-leaded, Surface Mount
- Suited for IR and Vapor Phase Reflow Soldering
- Designed for Switching Power Supply Applications

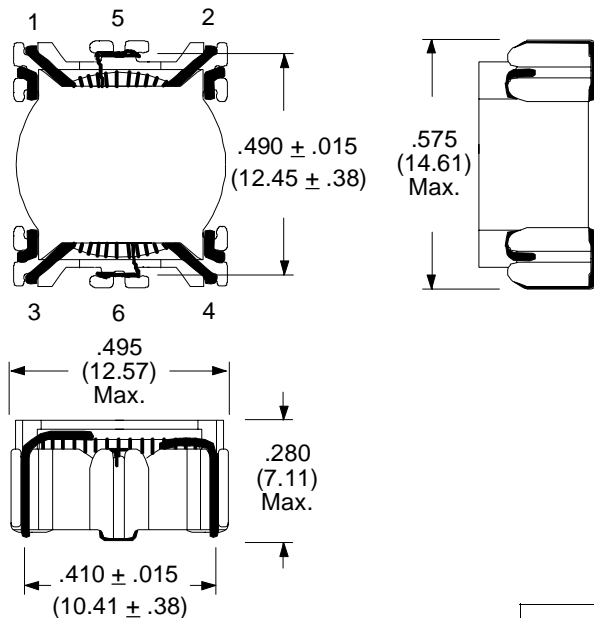
| PARAMETER | MIN. | MAX. | UNITS |
|-------------------------|------|------|------------------|
| Secondary Inductance | 59.2 | | mH |
| Secondary DC Resistance | | 3.9 | ohms |
| Isolation (HI-POT) | 500 | | V _{RMS} |
| Current | 16.4 | | Amps |
| Secondary Turns (SEC.) | 200 | | |

Inductance is measured at 10 kHz, 60 mV rms.
Reference values are for the one turn winding connected in parallel for unipolar operation at 200 kHz.

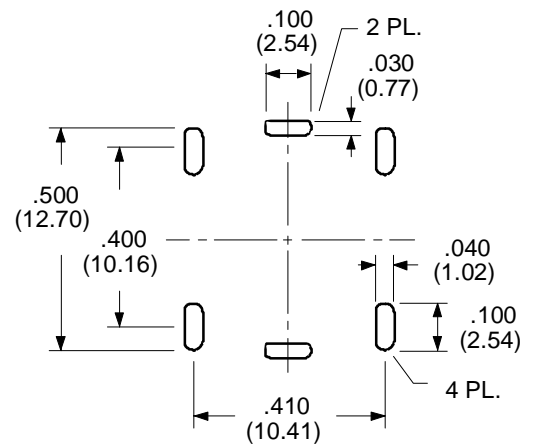
SCHEMATIC DIAGRAM



Dimensions in inches (mm)



Footprint



RHOMBUS P/N: T-20199

CUST P/N:

NAME:

DATE: **3/21/98**

SHEET: 1 OF 1