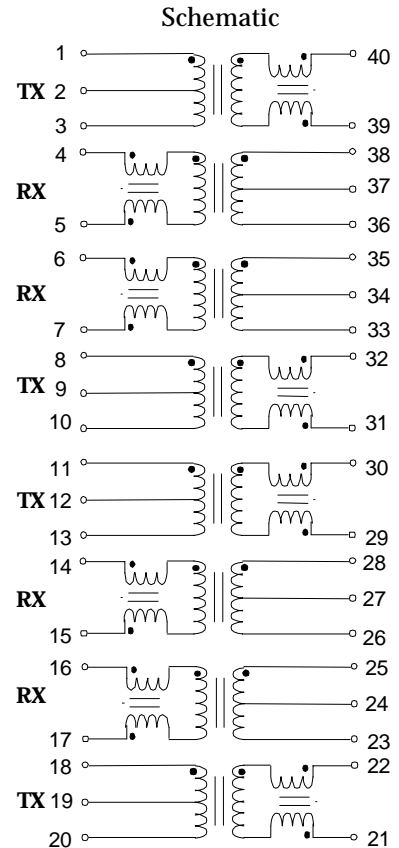


T1/E1/CEPT QUAD PORT

Turns Ratio ($\pm 5\%$)	(PRI to SEC)	TX	1CT : 1
	(PRI to SEC)	RX	1CT : 1

Flammability: Materials used in the production of these units meet requirements of UL94-VO and IEC 695-2-2 needle flame test.

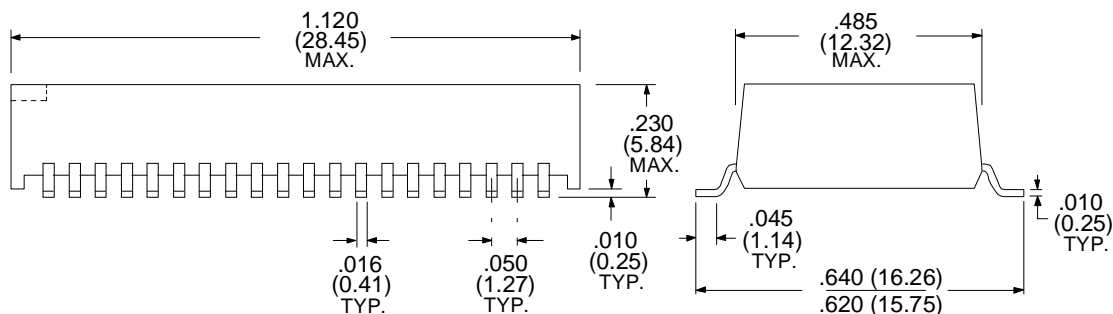
PARAMETER	MIN.	TYP.	MAX.	UNITS
OCL (Primary) ¹		1.5		mH
Leakage Inductance ¹			0.5	μ H
Capacitance ($C_{w/w}$) ¹			35	pF
Primary DC Resistance			0.8	Ohms
Secondary DC Resistance			0.8	Ohms
Operating Temp Range	-40		+85	$^{\circ}$ C
Crosstalk (0.1-5MHz)	-60			dB
CMRR (150kHz-1GHz)	-70			dB
Return Loss	12			dB
Insertion Loss			1.2	dB
Isolation	1500			V_{RMS}



1. 100kHz - 50mV

Primary Pins: 1-3, 8-10, 11-13, 18-20, 38-36, 35-33, 28-26,
And 25-23.

40-Pin 50 mil SMD Package Physical Dimensions in inches (mm)



Available on
Tape & Reel

Rhombus P/N:	T-19200	
Cust. P/N:	Name:	
Date:	03/22/02	Sheet: 1 of 1