

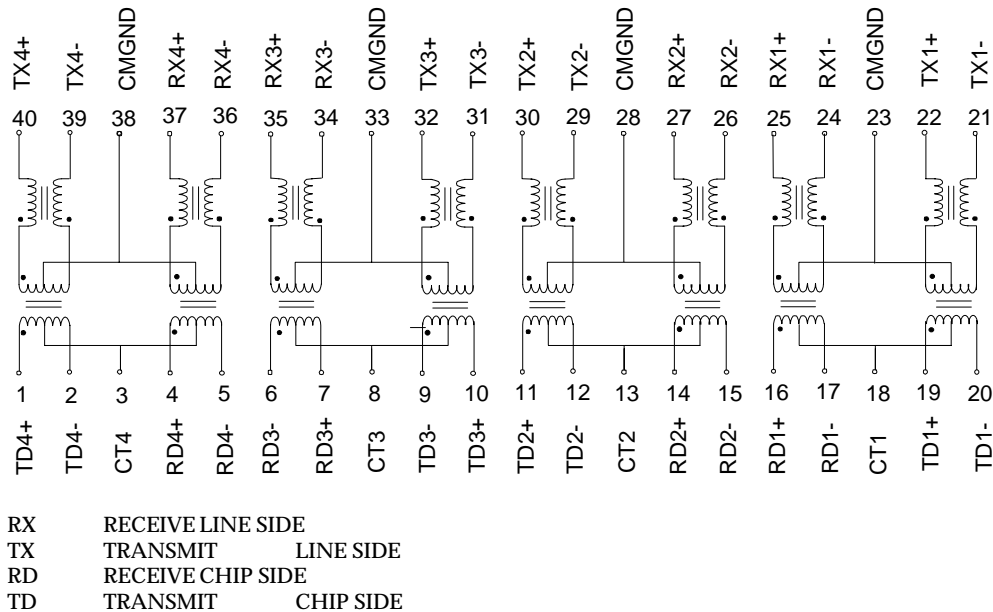
10/100BASE-TX QUAD PORT TRANSFORMER

- Meets all IEE 802.3u and ANSI X3.263 standards including 350 μ H OCL with 8 mA bias
- Operating Temperature Range: -40°C TO +85°C
- Model designed to support four single or double stacked RJ-45 connectors
- Extended temperature version of RHOMBUS part number T-17109

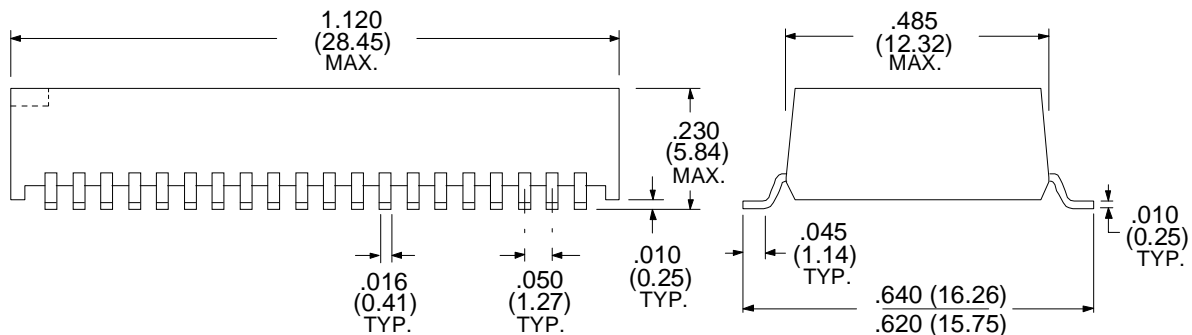
Electrical Specifications at 25° C

Part Number	Insertion Loss (dB TYP.)	Return Loss (dB MIN)				Crosstalk (dB TYP)				Differential to Common Mode Rejection (dB TYP)	
		2-30MHz	40MHz	50MHz	60-80MHz	1kHz	30MHz	60MHz	100MHz	1-60MHz	60-200MHz
T-17709	-1.0	-18	-14.4	-13.1	-12	-55	-45	-40	-33	-37	-25

SCHEMATIC



Dimensions in inches (mm)



Tape and Reel available.

RHOMBUS P/N: **T-17709**

CUST P/N:

NAME:

DATE: **01/10/02**

SHEET: 1 OF 1