

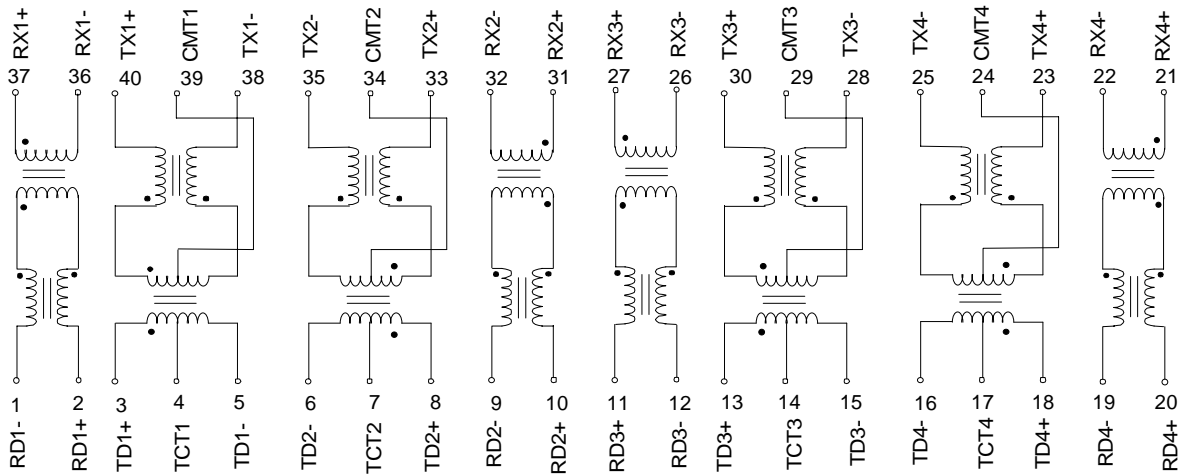
# 10/100BASE-TX QUAD PORT TRANSFORMER

- Meets all IEE 802.3u and ANSI X3.263 standards including 350  $\mu$ H OCL with 8 mA bias
- Operating Temperature Range: -40°C TO +85°C
- Model designed to support four single or double stacked RJ-45 connectors
- Extended temperature version of RHOMBUS part number T-17102

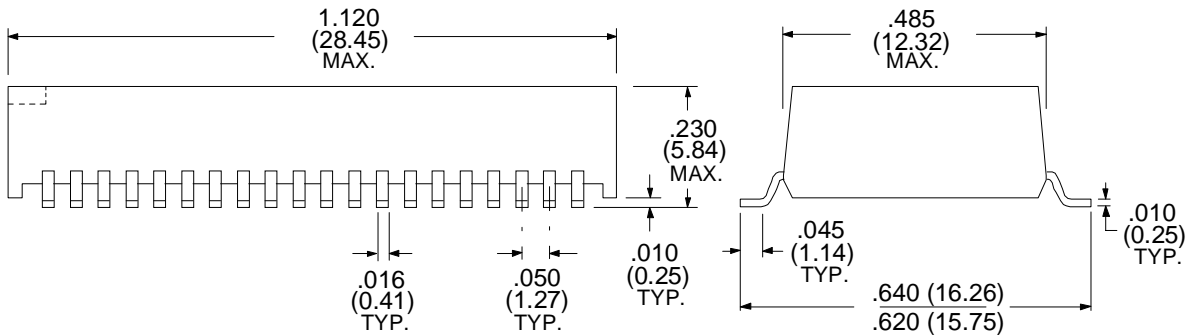
Electrical Specifications at 25° C

Part Number	Insertion Loss (dB TYP.)	Return Loss (dB MIN )				Crosstalk (dB TYP)				Common to common Rejection Ratio 0.1-60MHz(dB typ.)		Differential to Common Mode Rejection (dB typ.)	
		2-30MHz	40MHz	50MHz	60-80MHz	1MHz	30MHz	60MHz	100MHz	Transmit	Receive	1-60MHz	60-200MHz
T-17702	-0.5	-22	-18	-15	-12	-65	-50	-40	-30	-30	-30	-40	-30

## Schematic Diagram



Dimensions in inches (mm)



Tape and Reel available.

RHOMBUS P/N: **T-17702**

CUST P/N:

NAME:

DATE: **11/22/00**

SHEET: **1 OF 1**