

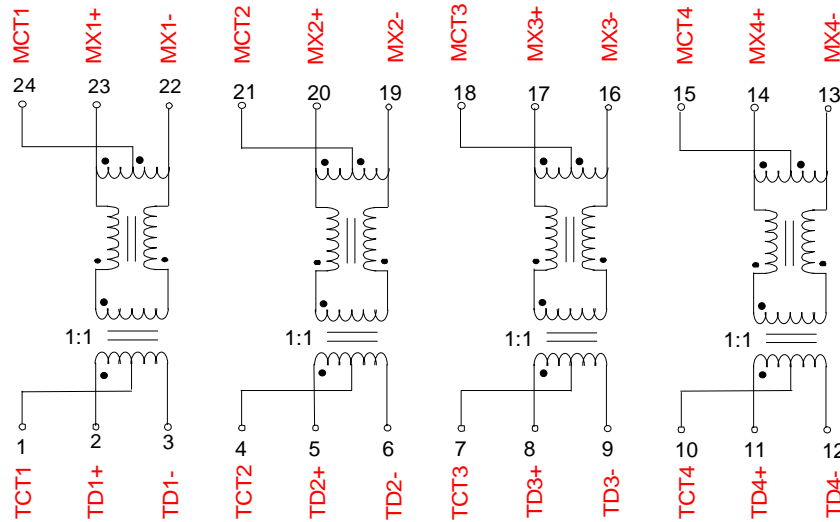
# 1000BASE-T MAGNETICS MODULES

DESIGNED FOR GIGABIT ETHERNET 100/1000BASE-T, FULL DUPLEX APPLICATIONS  
 COMPLIANT WITH IEEE 802.3ab STANDARD FOR 1000BASE-T  
 OPERATING TEMPERATURE -40/+85°C.

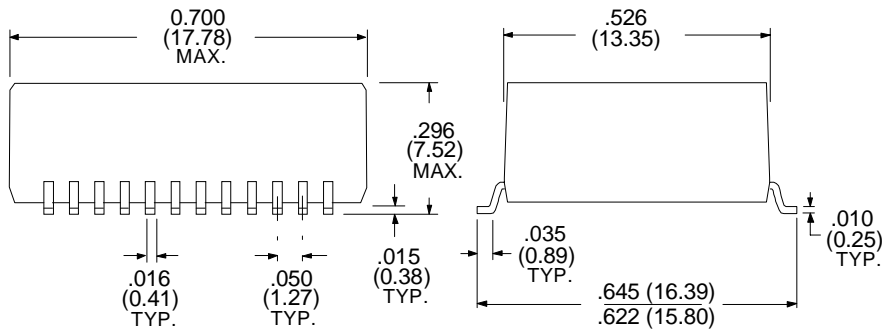
Electrical Specifications at 25°C

Insertion Insertion Loss (dB MAX)	Return Loss (dB MIN @ 100Ω)					Crosstalk (dB MIN)			Differential to Common Mode Rejection (dB MIN)			Hipot (Vrms MIN)
	1-30MHz	40MHz	50MHz	60-80MHz	100 MHz	30MHz	60MHz	100MHz	30MHz	60MHz	100MHz	
1.0	-18	-14.4	-13.1	-12	-10	-45	-40	-35	-43	-37	-33	1500

## SCHEMATIC



## Dimensions in inches (mm)



RHOMBUS P/N: **T-17601**

CUST P/N:

NAME:

DATE: **10/26/00**

SHEET: 1 OF 1