

# 10/100BASE-TX QUAD PORT TRANSFORMER

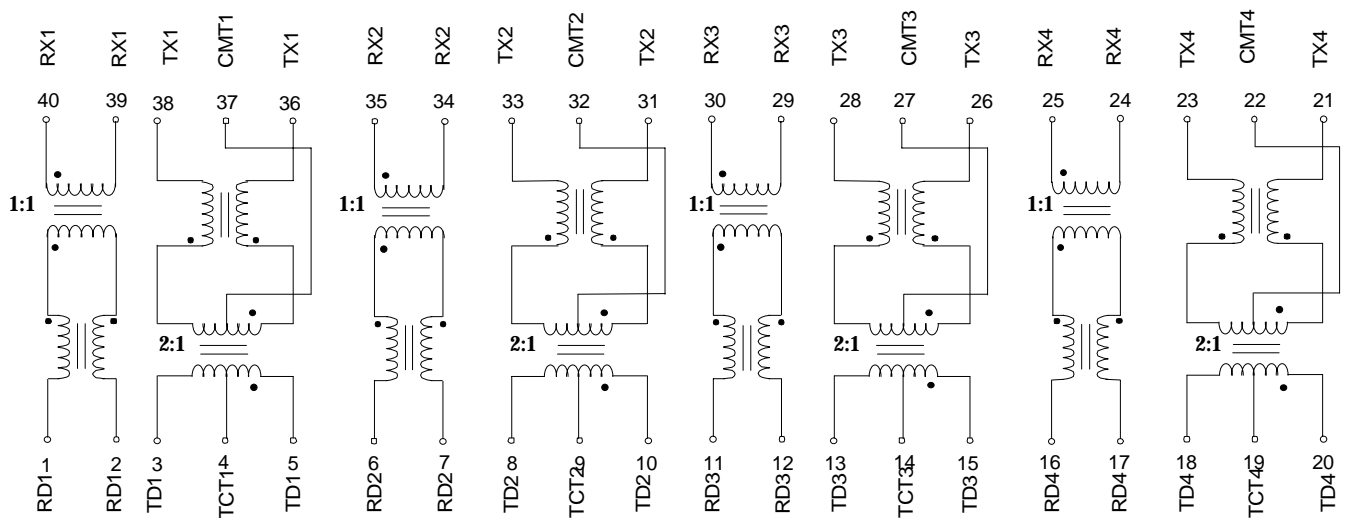
■ Meets all IEE 802.3 and ANSI X3.263 standards including 350  $\mu$ H OCL with 8 mA bias

■ Model designed to support four single or double stacked RJ-45 connectors

Electrical Specifications at 25° C

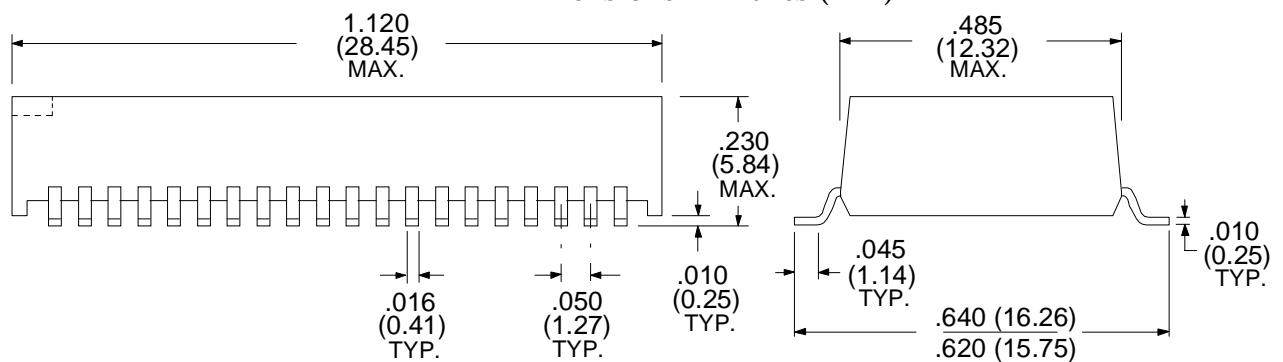
Part Number	Insertion Loss (dB TYP.)	Return Loss (dB MIN )				Crosstalk (dB TYP)				Common to common Rejection Ratio 0.1-60MHz(dB TYP)		Differential to Common Mode Rejection (dB TYP)	
		1-100MHz	2-30MHz	40MHz	50MHz	60-80MHz	1MHz	30MHz	60MHz	100MHz	Transmit	Receive	1-60MHz
T-17108	-0.5	-21	-17	-14.5	-12	-60	-50	-40	-35	-30	-30	-40	-30

## SCHEMATIC



Tape and Reel available.

## Dimensions in inches (mm)



RX RECEIVE LINE SIDE  
 TX TRANSMIT LINE SIDE  
 RD RECEIVE CHIP SIDE  
 TD TRANSMIT CHIP SIDE

RHOMBUS P/N: **T-17108**

CUST P/N:

NAME:

DATE: **8/28/00**

SHEET: 1 OF 1