

10/100 BASE-TX DUAL PORT TRANSFORMER MODULE

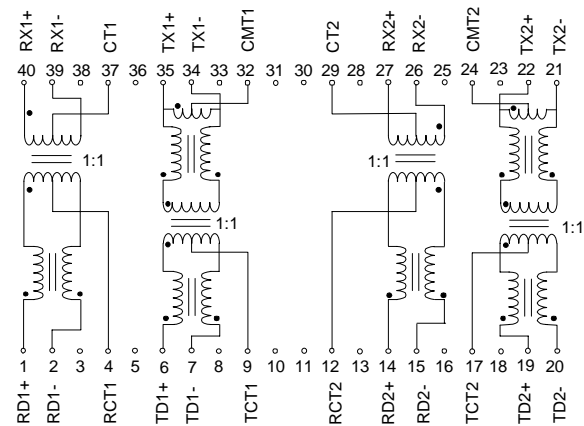
FOR USE WITH TRANSCEIVERS REQUIRING 1 : 1 TRANSMIT AND RECEIVE TURNS RATIOS

Electrical Specifications at 25° C

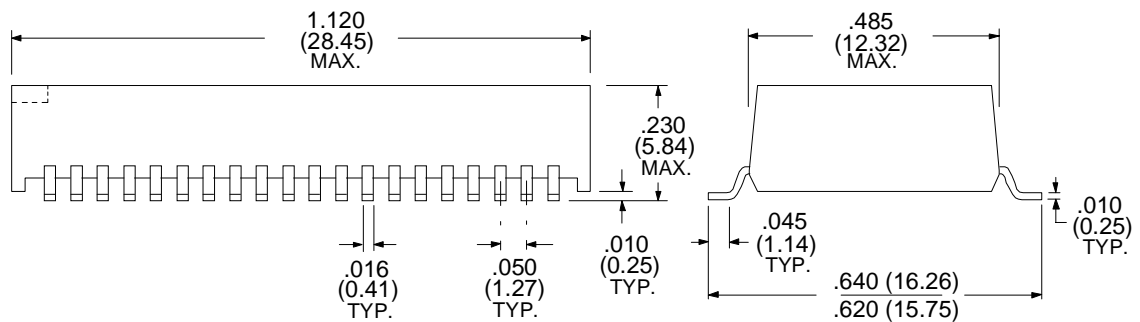
Part Number	Insertion Loss (dB TYP)	Return Loss (dB MIN)				Crosstalk (dB TYP)				Common to Common Rejection Ratio 0.1-60 MHz (dB TYP)		Differential Common Mode Rejection (dB TYP)	
		2-30MHz	40MHz	50MHz	60-80MHz	1MHz	30MHz	60MHz	100MHz	Transmit	Receive	1-60MHz	60-200MHz
T-16301	0.1-100MHz	-21.0	-17.0	-14.5	-12.0	-65	-55	-45	-35	-45	-30	-53	-40

- Designed to support two RJ-45 connectors
- Compliant with IEEE 802.3u and ANSI X3.263 standards including 350 μ H OCL with 8 mA bias
- SMD package compatible with 235°C peak temperature profile

SCHMATIC



DIMENSIONS inches (mm)



Tape & Reel Available

RHOMBUS P/N: **T-16301**

CUST P/N:

NAME:

DATE: **5/27/99**

SHEET: