

*T3 DUAL INTERFACE TRANSFORMER

Turns Ratio (± 3%)	1:1 & 1:1
---------------------	-----------

PARAMETER	MIN.	MAX.	UNITS
Inductance	40		μHy
Rise Time		3.00	nS
Leakage Inductance		0.14	μHy
Capacitance (C _{ww})		15	pF
Primary DC Resistance		0.2	ohms
Isolation	1500		VRMS

Flammability: Materials used in the production of these units meet requirements of UL94-VO and IEC 695-2-2 needle flame test.

Temperature Characteristics TX:
 -40° C 24 μH min. (40% drop in inductance)
 +85° C 56 μH min. (40% growth in inductance)

Typical part: TX Side
 54.0 μH @ +25° C
 78.5 μH @ +85° C
 32.5 μH @ -40° C

Parts shipped in anti-static tubes. 33 pieces per tube

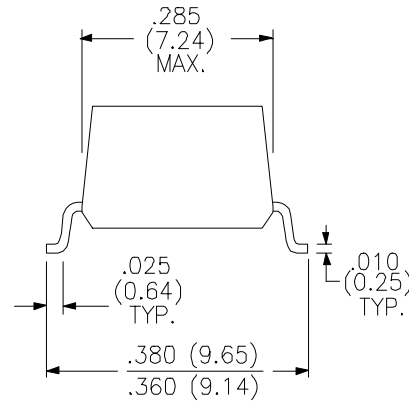
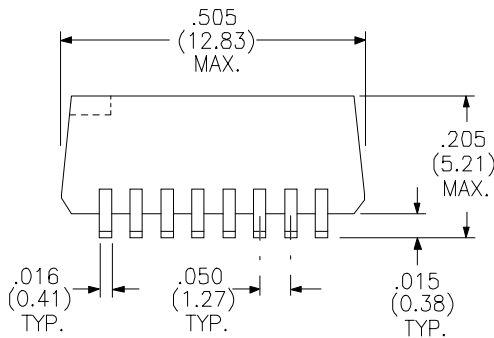
Tape & Reel Available

Operating Temperature range: -40°C to +85°C

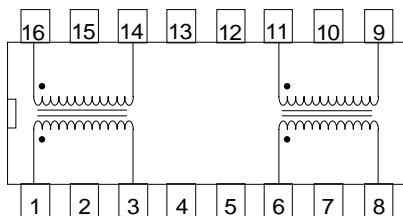
3 dB Bandwidth is .200 - 340 (MHz) typical, tested in a 75 ohm system

* Also suitable for DS3, E3 and STS-1 interfaces

PHYSICAL DIMENSIONS All dimensions in inches (mm):



SCHEMATIC DIAGRAM:



RHOMBUS INDUSTRIES INC. **FSCM NO. 16714**

RHOMBUS P/N: **T-15100**

CUST P/N:

NAME:

DATE: **9/3/00**

SHEET: 1 OF 1