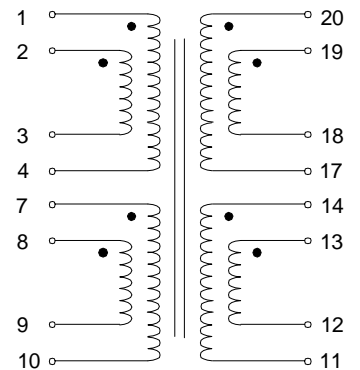


Push-Pull Transformer

Turns Ratio	1:1CT			
PARAMETER ¹	Min.	Typ.	Max.	Units
Inductance ² Pins 1-10		60		μH
DC Resistance Pins (1 or 2) to (9 or 10)		12.3		mΩ
DC Resistance Pins (20 or 19) to (18 or 17)	7.8		mΩ	
DC Resistance Pins (14 or 13) to (12 or 11)		7.8		mΩ
Dielectric Rating	500			V _{RMS}
Power Rating	1750			Watts

Schematic



- All measurements made windings connected in parallel as described by "In-circuit connections"
- Tested at 100 kHz and 100 mV.

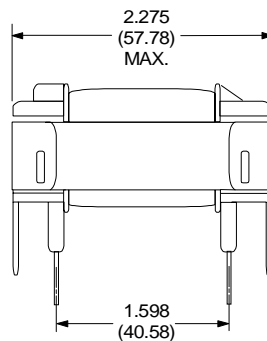
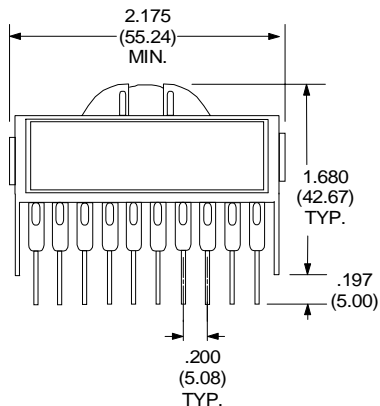
In-Circuit Connections:

Short Pins

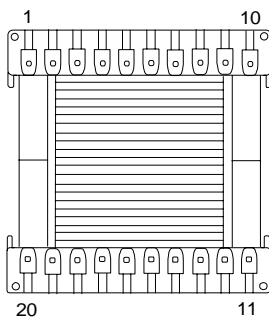
1-2, 9-10,

20-19, 18-17, 14-13, 12-11

(Short Pins 17-14 to create a center tap)



Physical Dimensions
inches (mm)



TOP VIEW

RHOMBUS P/N: **T-1442**

CUST P/N:

NAME:

DATE: **07/6/01**

SHEET: 1 of 1