

T1/CEPT/ISDN PRI INTERFACE TRANSFORMER

Electrical Specifications @ 25°C

| | |
|----------------------|-----------------------|
| Turns Ratio (± 5%) | 1 : 2.3CT & 1CT : 1CT |
|----------------------|-----------------------|

Flammability: Materials used in the production of these units meet requirements of UL94-VO and IEC 695-2-2 needle flame test.

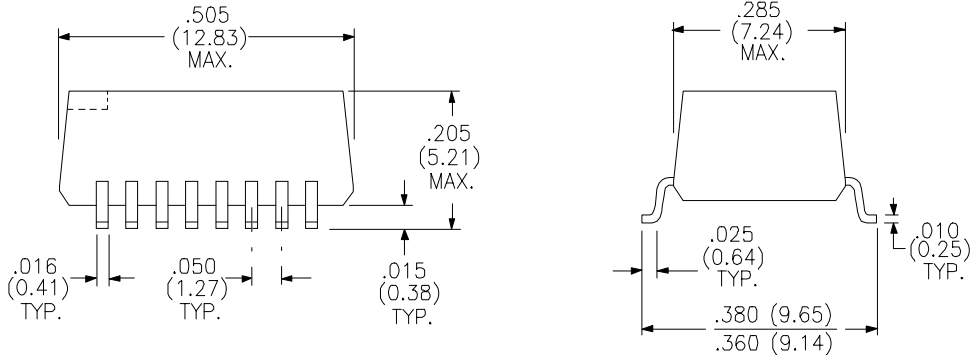
Parts shipped in anti-static tubes. 33 pieces per tube

Tape & Reel Available

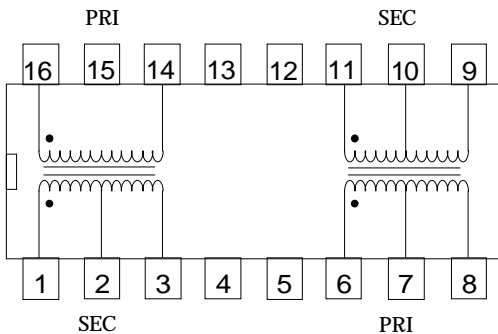
| PARAMETER | MIN. | MAX. | UNITS |
|---------------------------------|------|-----------|-------|
| OCL (Primary) | 1.2 | | mH |
| Leakage Inductance | | 0.8 & 0.8 | μH |
| Capacitance (C _{w/w}) | | 50 | pF |
| Primary DC Resistance | | 0.8 | ohms |
| Secondary DC Resistance | | 1.8/0.8 | ohms |
| ET Product | 10 | | VμS |

Primary Pins 14-16 & 6-8
Isolation 2000 V_{RMS} Min.

PHYSICAL DIMENSIONS inches (mm)



SCHEMATIC DIAGRAM:



| | |
|-----------------------------|---------------|
| Rhombus P/N: T-14189 | |
| Cust. P/N: | Name: |
| Date: 5/16/01 | Sheet: 1 OF 1 |