

T1/CEPT/ISDN PRI INTERFACE TRANSFORMER

Electrical Specifications @ 25°C

Turns Ratio (± 5%)

1CT : 2.3CT & 1CT : 1CT

Flammability: Materials used in the production of these units meet requirements of UL94-VO and IEC 695-2-2 needle flame test.

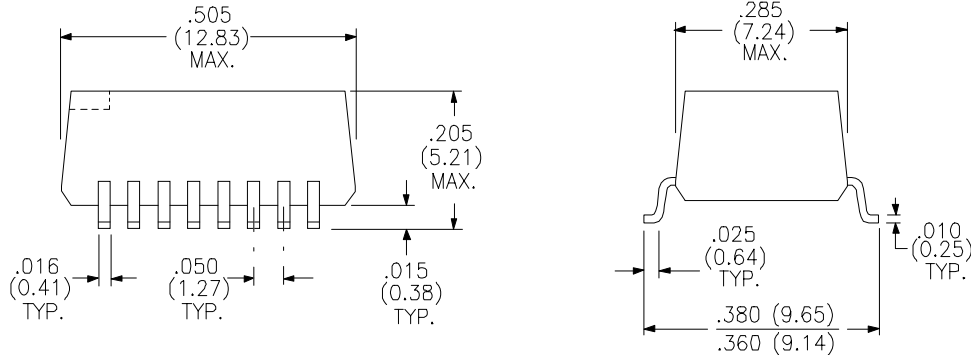
Parts shipped in anti-static tubes. 33 pieces per tube

Tape & Reel Available

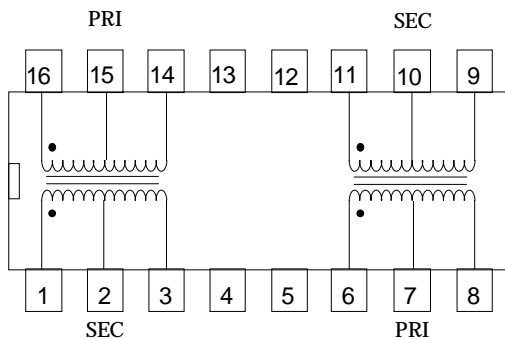
PARAMETER	MIN.	MAX.	UNITS
OCL (Primary)	1.2		mH
Leakage Inductance		0.8 & 0.8	μH
Capacitance (C _{W/W})		50	pF
Primary DC Resistance		0.8	ohms
Secondary DC Resistance		1.8/0.8	ohms
ET Product	10		VμS

Primary Pins 14-16 & 6-8
Isolation 2000 V_{RMS} Min.

PHYSICAL DIMENSIONS inches (mm)



SCHEMATIC DIAGRAM:



Rhombus P/N: **T-14188**

Cust. P/N:

Name:

Date: **5/15/01**

Sheet: 1 OF 1