

# T1/CEPT/ISDN PRI Interface Transformer

Turns Ratio ( ± 5% )	1CT:1CT & 1CT:1.36CT
----------------------	----------------------

Flammability: Materials used in the production of these units meet requirements of UL94-VO and IEC 695-2-2 needle flame test.

PARAMETER	MIN.	MAX.	UNITS
OCL (Primary)	1.5		mH
Leakage Inductance		0.5	μH
Capacitance (C <sub>w/w</sub> )		35	pF
Primary DC Resistance		0.8	Ohms
Secondary DC Resistance		0.8 & 1.0	Ohms
Operating Temp Range	-40	+85	°C
Crosstalk (0.1-10MHz) -60dB nominal			

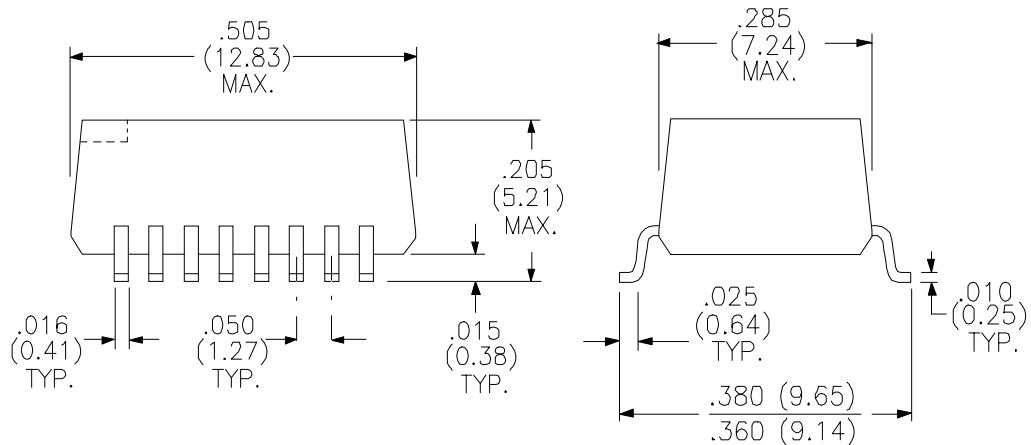
Parts shipped in anti-static tubes. 33 pieces per tube

*Tape & Reel Available*

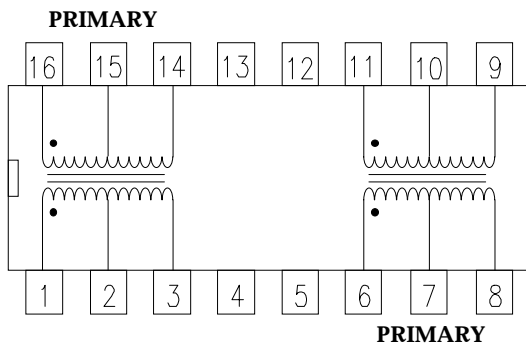
**Primary Pins 14-16 & 6-8**

**Isolation 1500 V<sub>RMS</sub> Min.**

## PHYSICAL DIMENSIONS inches (mm)



## Schematic Diagram



Rhombus P/N:	<b>T-14185</b>	
Cust. P/N:	Name:	
Date:	<b>9/13/00</b>	Sheet: 1 of 1