

T1/CEPT/ISDN PRI Interface Transformer

Turns Ratio (± 2 %)

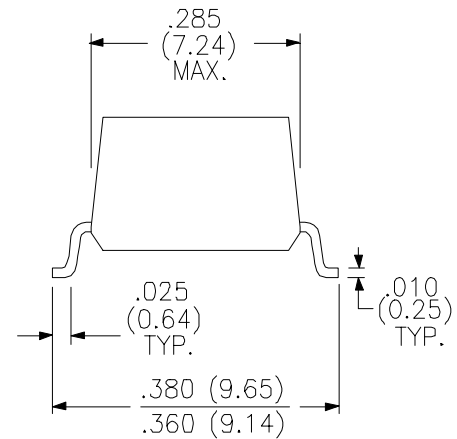
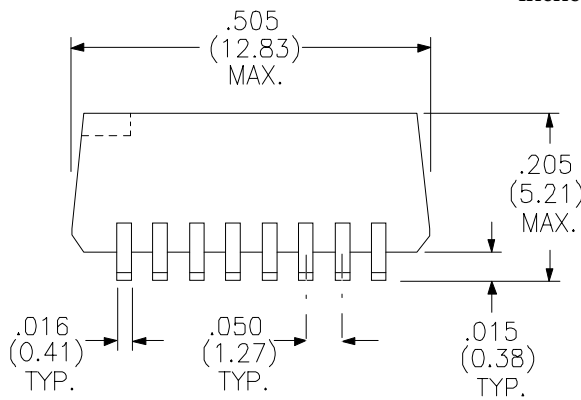
1CT:1.41CT & 1CT:1.41CT

Primary Pins 11-9 & 1-3

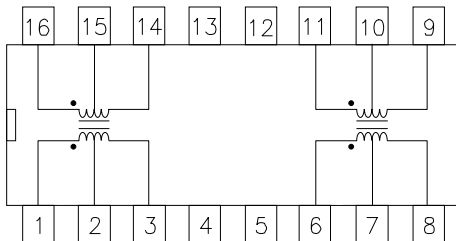
Electrical Specifications at 25°C

Parameter		Min.	Max.	Units
OCL (Primary)	T1	1.28		mH
	T2	1.20		mH
Leakage Inductance	T1		0.8	μH
	T2		0.8	μH
Capacitance (C _{www})	T1		30	pF
	T2		30	pF
Primary DC Resistance	T1		0.7	ohms
	T2		0.7	ohms
Secondary DC Resistance	T1		0.9	ohms
	T2		0.9	ohms
ET Product		10		V-μS
Isolation		1500		V _{RMS}

Physical Dimensions inches (mm)



Schematic Diagram



RHOMBUS P/N: T-14162

CUST P/N:

NAME:

DATE: 07/31/96

SHEET: 1 of 1