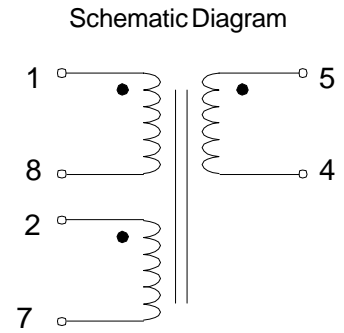


Converter Transformer

Designed for use with Motorola MC33363A

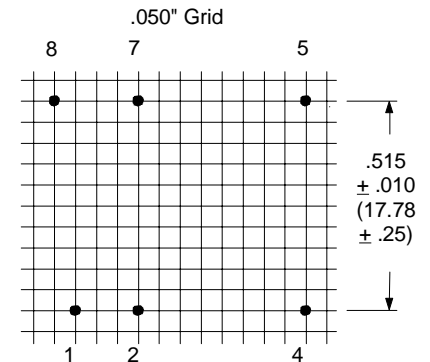
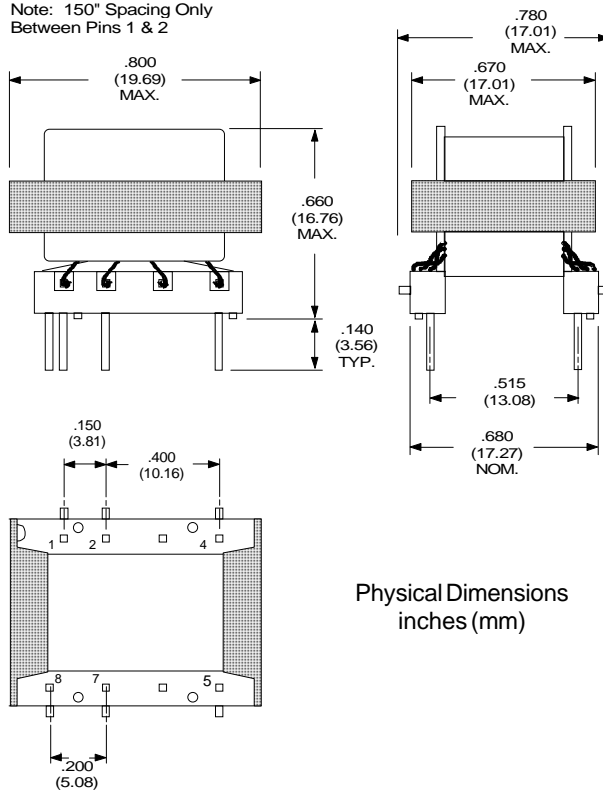
PARAMETER	Min.	Max.	Units
Inductance ⁽¹⁾ Pins 1 - 8	562	691	μ H
DC Resistance Pins 1 - 8 Pins 2 - 7 Pins 5 - 4		0.595	ohms
		0.135	ohms
		0.010	ohms
Dielectric Rating Pins 1 to 5	1500		V _{RMS}
Operating Temperature Range	-40	+85	°C
Output	5.0		VDC
Output Current	3.0		Amps
Input	92-276		Vac



Primary = 1-8
 Secondary = 5-4
 Auxiliary = 2-7

1. Tested at 100 kHz and 100 mV

Note: 150" Spacing Only
 Between Pins 1 & 2



RHOMBUS P/N: **T-1415**

CUST P/N:

NAME:

DATE: **1/5/01**

SHEET: 1 of 1