

T1/CEPT/ISDN PRI Interface Transformer

Turns Ratio (± 2 %)	1CT:1.41CT & 1CT:1.41CT
-----------------------	-------------------------

Flammability: Materials used in the production of these units meet requirements of UL94-VO and IEC 695-2-2 needle flame test.

Electrical Specifications at 25°C

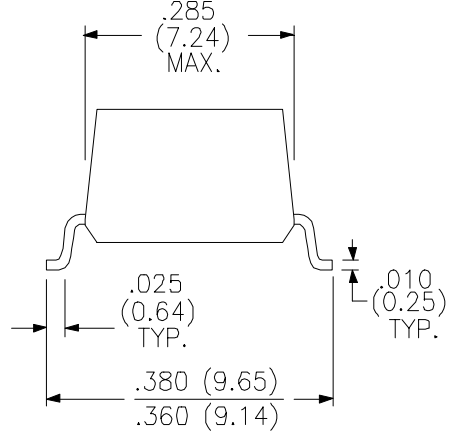
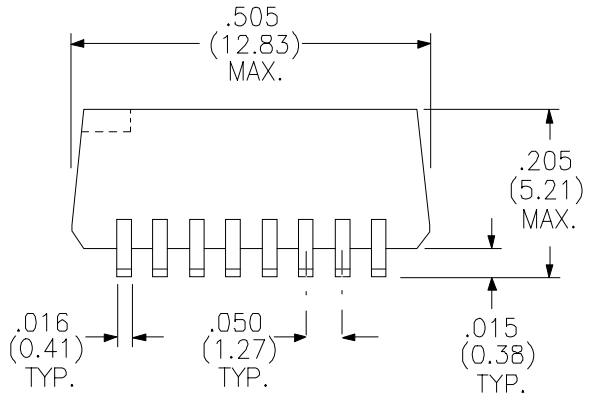
Parameter	Min.	Max.	Units
OCL (Primary)	1.0		mH
Leakage Inductance		0.6 & 0.6	μH
Capacitance (C _{www})		30	pF
Primary DC Resistance		0.70 & 0.70	ohms
Secondary DC Resistance		0.90 & 0.90	ohms
Isolation	1500		V _{RMS}

Parts shipped in anti-static tubes. 33 pieces per tube

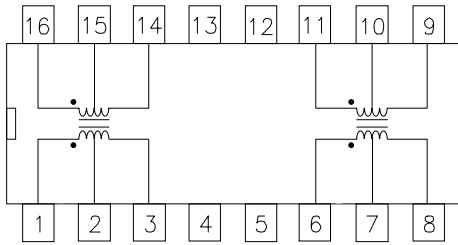
Tape & Reel Available

Primary Pins 16-14 & 11-9

Physical Dimensions
inches (mm)



Schematic Diagram



RHOMBUS P/N: T-14119	
CUST P/N:	NAME:
DATE: 07/31/96	SHEET: 1 of 1