

# T1/CEPT/ISDN PRI Interface Transformer

Turns Ratio ( ± 2 % )	1CT:1.15CT & 1CT:1.15CT
-----------------------	-------------------------

Flammability: Materials used in the production of these units meet requirements of UL94-VO and IEC 695-2-2 needle flame test.

Electrical Specifications at 25°C

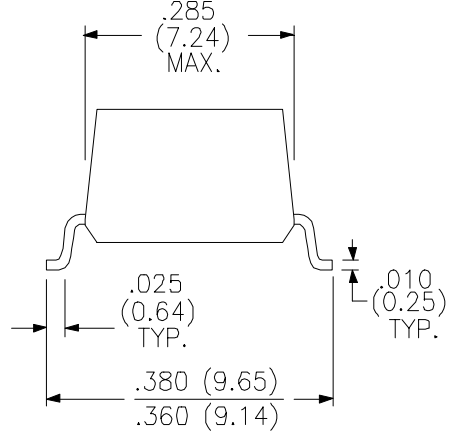
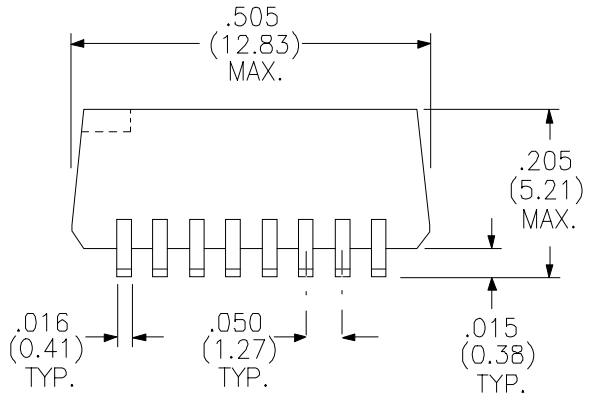
Parameter	Min.	Max.	Units
OCL (Primary)	1.2		mH
Leakage Inductance		0.6 & 0.6	μH
Capacitance (C <sub>www</sub> )		30	pF
Primary DC Resistance		0.70 & 0.70	ohms
Secondary DC Resistance		0.75 & 0.75	ohms
Isolation	1500		V <sub>RMS</sub>

Parts shipped in anti-static tubes. 33 pieces per tube

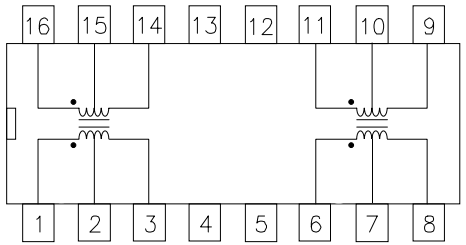
*Tape & Reel Available*

Primary Pins 1-3 & 6-8

Physical Dimensions  
inches (mm)



Schematic Diagram



RHOMBUS P/N: T-14118	
CUST P/N:	NAME:
DATE: 07/31/96	SHEET: 1 of 1