

Media Isolation Transformer

- Designed for use with Level One's LXT901 IC
- Transmit and Receive in one package

- Includes Common Mode Choke for better EMI performance

Flammability: Materials used in the production of these units meet requirements of UL94-VO and IEC 695-2-2 needle flame test.

Parts shipped in anti-static tubes. 33 pieces per tube

Turns Ratio (± 2%)	1CT:1CT & 1CT:1.41CT
----------------------	----------------------

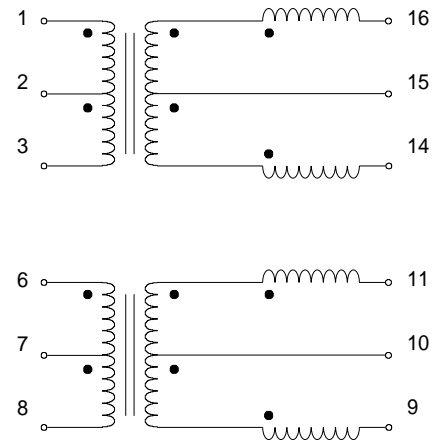
PARAMETER	MIN.	MAX.	UNITS
OCL (Primary)	140	260	μH
Leakage Inductance		0.50	μH
Capacitance (C _{w/w})		15	pF
Primary DC Resistance		0.3	Ohms
Secondary DC Resistance		0.6	Ohms
Common Mode Section Turns Ratio 1:1:1:1 L _p = 85 μH ± 30% D.C.R. = 0.2Ω max			

Primary Pins 1, 3 & 6, 8

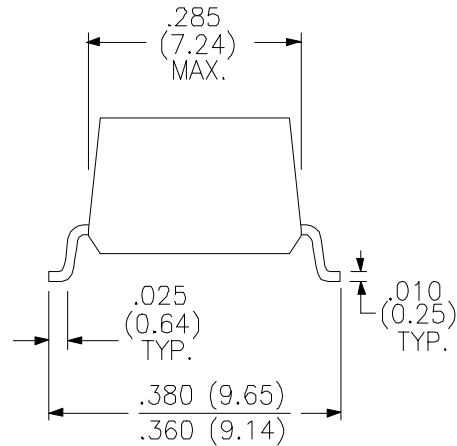
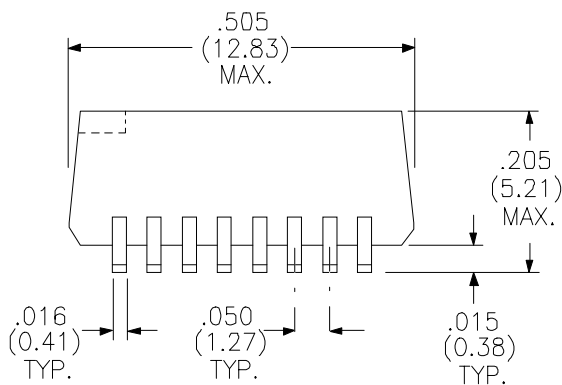
Isolation 2000 V_{RMS} Min.

Tape & Reel Available

Schematic Diagram



PHYSICAL DIMENSIONS inches (mm)



Rhombus P/N:	T-14052	
Cust. P/N:	Name:	
Date:	7/28/97	Sheet: 1 of 1