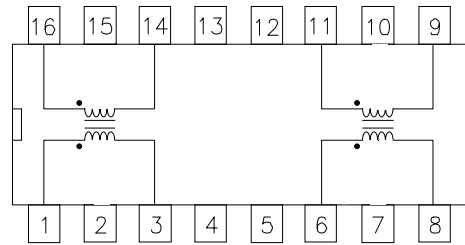


High Speed Data Communications Fibre Channel Transformer

For use with 75 Ohm Coaxial Cable @ 133 MHz
High Isolation 2000Vrms / Fast Rise Times
Small 16-Pin 50 mil SMD Package

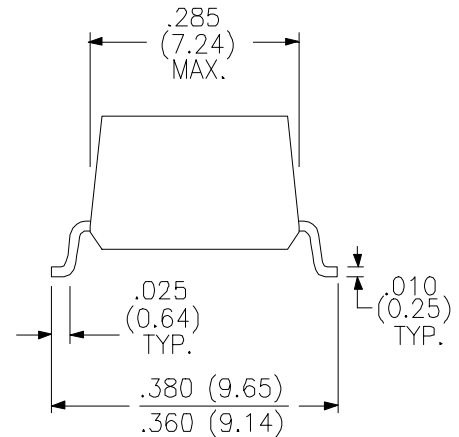
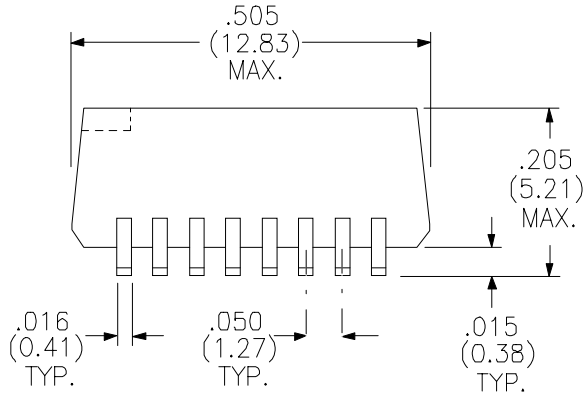
Schematic Diagram



Electrical Specifications at 25° C

Part Number	Schematic Style	Turns Ratio ± 5%	Inductance Pri. OCL (μH min.)	Rise Time 20-80% max. (ns)	Pri. / Sec. C _{w/w} max. (pF)	L _L max. (μH)	DCR max. (Ω)	Hi-Pot min. (V _{RMS})
T-14023	16 Pin Dual	1:1	30	1.6	5.0	0.10	0.20	2000

Physical Dimensions
inches (mm)



RHOMBUS P/N: T-14023

CUST P/N:

NAME:

DATE: 05/29/96

SHEET: 1 of 1