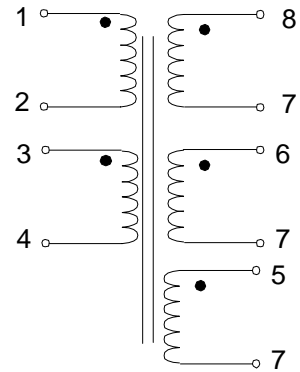


FLYBACK TRANSFORMER

Turns Ratio (1-2 : 3-4)	1: 0.15 ± 1%
(1-2 : 8-7)	1: 0.15 ± 1%
(1-2 : 6-7)	1: 0.15 ± 1%
(1-2 : 5-7)	1: 0.07 ± 1%

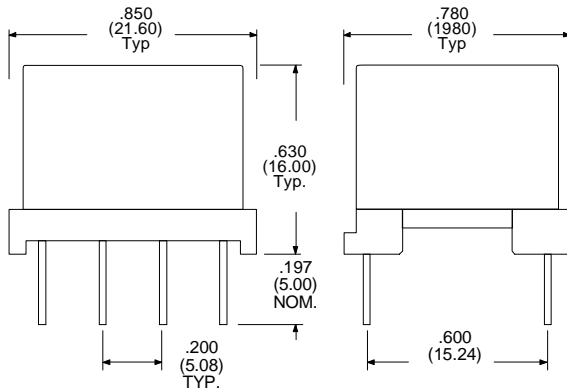
Parameter	Min.	Typ.	Max.	Units
Inductance 1-2		1.50		mH
Leakage Inductance ¹		14.0		μH
DC Resistance 1 - 2		2.65		Ω
DC Resistance 3 - 4		0.57		Ω
DC Resistance 5 - 7		0.05		Ω
DC Resistance 6 - 7		0.29		Ω
DC Resistance 8 - 7		0.27		Ω
Hi-Pot Primary to Secondary	1000			V _{RMS}

Schematic Diagram

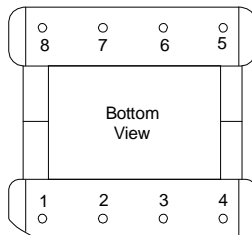


Designed to meet the requirements for national ISDN U-INTERFACE chip TP3410

1. Measure on pins 1-2 with (3,4,5,6,7,8) shorted.

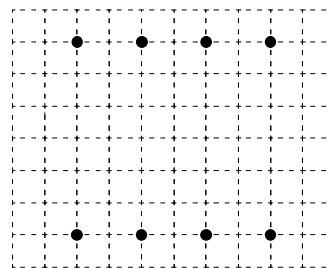


Pin Diameter is 0.026 (0.66)



Physical Dimensions
inches (mm)

Pin Position Grid 0.100 (2.54)
● Holes For Bobbin Pins



RHOMBUS P/N: T-1388	
CUST P/N:	NAME:
DATE: 01/11/01	SHEET: