

T1/CEPT/ISDN PRI INTERFACE TRANSFORMER

Reinforced Insulation Per EN 41003/EN 60950

Turns Ratio (± 5%)	1:2*
----------------------	------

Parameter	Min.	Max.	Units
Open Circuit Inductance Oscillation Voltage = 100mV Oscillation Frequency = 100.0 KHz	1.5		mH
Leakage Inductance Oscillation Level = 100mV Oscillation Frequency = 1 MHz		0.70	μH
Interwinding Capacitance (C _{ww}) Oscillation Frequency = 1 MHz		20	pF
Primary DC Resistance		0.7	ohms
Secondary DC Resistance		1.2	ohms
Isolation (HI-POT)	3000		V _{RMS}

Flammability: Materials used in the production of these units meet requirements of UL94-VO and IEC 695-2-2 needle flame test.

Temperature Characteristics:
 -40° C 900 μH min. (40% drop in inductance)
 +85° C 1.7 mH min. (15% growth in inductance)
 Typical part:
 2.0 mH @ +25° C
 2.3 mH @ +85° C
 1.2 mH @ -40° C

Parts shipped in anti-static tubes. 31 pieces per tube

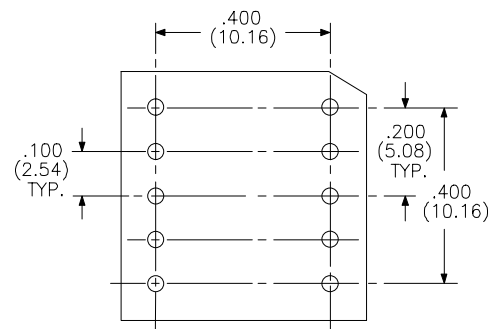
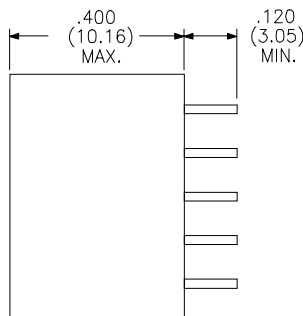
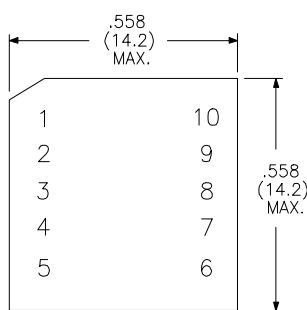
Primary Pins 10-6

*Turns Ratio: Pins 10-6 : 3-5 = 1 : 1.58
 10-6: 1-5 = 1 : 2

Surface mount version of this part available. Part# T-13634G

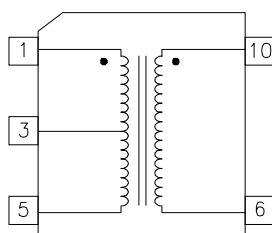
Physical Dimensions in inches (mm)

Note: Unused Pins Omitted



Leads are #22 AWG Solderable

Schematic Diagram



RHOMBUS P/N: **T-13634**

CUST P/N:

NAME:

DATE: **08/30/99**

SHEET: 1 OF 1