

T1/CEPT/ISDN PRI INTERFACE TRANSFORMER

Reinforced Insulation Per EN 41003/EN 60950

| | |
|----------------------|---------|
| Turns Ratio (± 5%) | 1:1.26* |
|----------------------|---------|

| Parameter | Min. | Max. | Units |
|---|------|------|------------------|
| Open Circuit Inductance Oscillation Voltage = 100mV Oscillation Frequency = 100.0 KHz | 1.5 | | mH |
| Leakage Inductance Oscillation Level = 100mV Oscillation Frequency = 1 MHz | | 0.9 | μH |
| Interwinding Capacitance (C _{ww}) Oscillation Frequency = 1 MHz | | 35 | pF |
| Primary DC Resistance | | 0.7 | ohms |
| Secondary DC Resistance | | 1.1 | ohms |
| Isolation (HI-POT) | 3000 | | V _{RMS} |

Flammability: Materials used in the production of these units meet requirements of UL94-VO and IEC 695-2-2 needle flame test.

Temperature Characteristics:
-40° C 900 μH min. (40% drop in inductance)
+85° C 1.7 mH min. (15% growth in inductance)

Typical part:
2.0 mH @ +25° C
2.3 mH @ +85° C
1.2 mH @ -40° C

Parts shipped in anti-static tubes. 31 pieces per tube

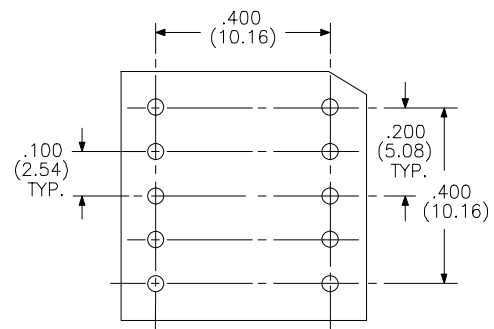
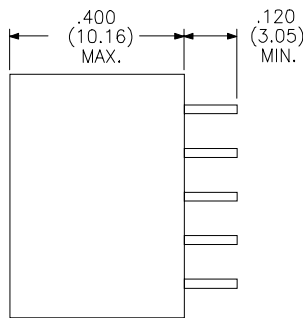
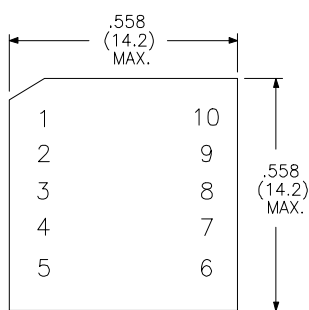
Surface mount version of this part available. Part# T-13633G

Primary Pins 10-6

*Turns Ratio: Pins 10-6 : 3-5 = 1 : 1
10-6: 1-5 = 1 : 1.26

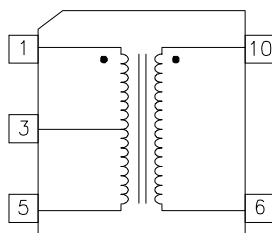
Physical Dimensions in inches (mm)

Note: Unused Pins Omitted



Leads are #22 AWG Solderable

Schematic Diagram



| | |
|-----------------------------|---------------|
| RHOMBUS P/N: T-13633 | |
| CUST P/N: | NAME: |
| DATE: 08/30/99 | SHEET: 1 OF 1 |