

U Interface Transformer (2B1Q Coding Applications)

Designed for use with National TP 3410

| | |
|-------------------------------------|----------|
| Turns Ratio (± 3 %) (Line : Chip) | 1.50 : 1 |
|-------------------------------------|----------|

| PARAMETER | MIN. | MAX. | UNITS |
|---|------|------|------------------|
| Primary Inductance (Line Side) Pins 1 to 5 with 2 & 4 shorted. | 25.4 | 28.6 | mH |
| Primary DC Resistance | | 20 | ohms |
| Secondary DC Resistance | | 3.0 | ohms |
| Isolation (Hi-Pot) | 3000 | | V _{RMS} |
| DC Bias | | 60 | mA |
| Return Loss 10KHz & 25 KHz | 20 | | dB |
| Longitudinal Balance (281 Hz to 40 KHz) | 55 | | dB |

REINFORCED INSULATION

Flammability: Materials used in the production of these units meet requirements of UL94-VO and IEC 695-2-2 needle flame test.

*A Surface Mount Version of this part is available
add suffix "G" to part number*

NOTE:

Operating Temp. Range -40°C to +85°C

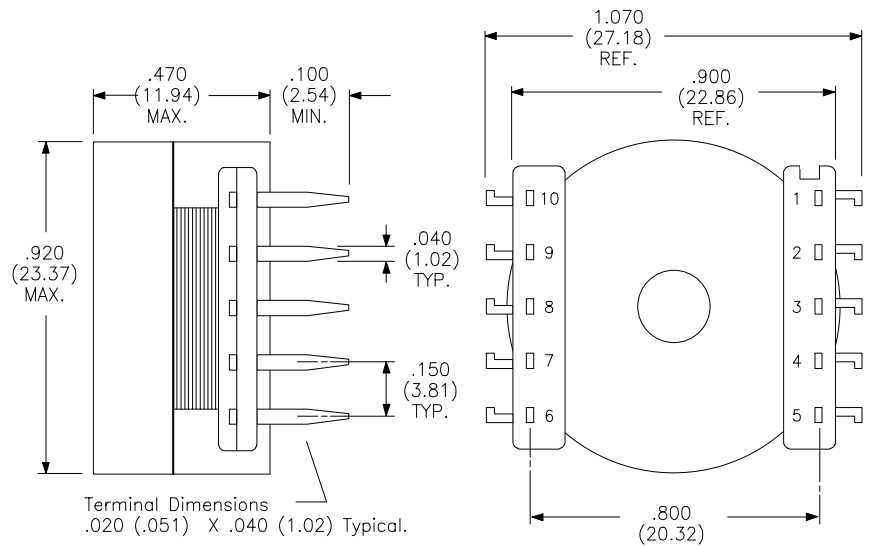
Primary is Line Side (Pins 1,2,4,5)
Secondary is Chip Side (Pins 7,8,9)

Surge Voltage Capability

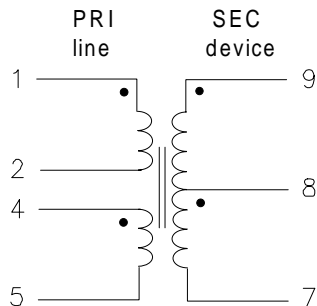
Metallic Voltage: 800 V peak, 10/560 μS

Longitudinal Voltage: 2400 V peak, 10/700 μS

Physical Dimensions inches (mm)



Schematic Diagram



Notch Indicates Pin #1

| | |
|----------------------|---------------|
| RHOMBUS P/N: T-13220 | |
| CUST P/N: | NAME: |
| DATE: 7/2/96 | SHEET: 1 of 1 |